

Technical Data



	Specification
Supply Voltage	17 to 32 Vdc
Cable size	0.5mm ² ~ 2.5mm ² / FIRETUF, FP200 or MICC
Standby current	< 320 μA
Operating temperature	-10 to +55°C (95%RH)
Material	ABS/PC FR Plastic
Sound output @ +/-3dB (set by panel)	Low volume : 84dB @ <4mA Medium volume : 92dB @ <8mA High volume : 95dB @ <12mA
Environment Category	Type A / IP21C
Compatibility	Suitable for use with Eaton COP range of analogue addressable panels with soft addressing protocol (Protocol specified in PR200-07-400-11)
Compliance	EN54-3 Fire Alarm Devices - Sounder EN54-17:2005 Short Circuit Isolators
Tones (set by panel)	Continuous 910Hz , Pulsed 910 / 0Hz pulse 1Hz, Two Tone 610 / 910Hz @ 1Hz cycle , Slow whoop 500-1200Hz in 3.5 seconds / 0.5secs gap

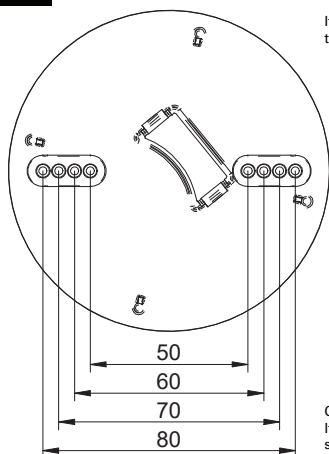
	Short Circuit Isolation Data (Integral with each Sounder)
Total Loop Resistance for correct operation of short circuit isolator	50Ω (max)
Parallel Fault Resistance to be seen at the Control Panel for isolators to open	200Ω (typ)
Continuous Current allowable through isolator	1A (IC max)
Maximum series impedance with the switch(es) closed	0.26Ω
Maximum leakage current in the isolated state	14mA @30V
Voltage at which isolator changes from open to closed or closed to open state	3.8V to 11V
Maximum switching current of isolator	1.5A

	Order Codes
Addressable Sounder Base	COPBS
Cover for sounder Base (5 Pack)	CASC

Note: Polar dispersion information available in the Technical manual. (Ref:M05-010)



- I. Knock-Out the required fixing holes
 - II. Fix to mounting surface using two suitable screws
- If the base deforms on an uneven surface, loosen the screws or move to a more flat position

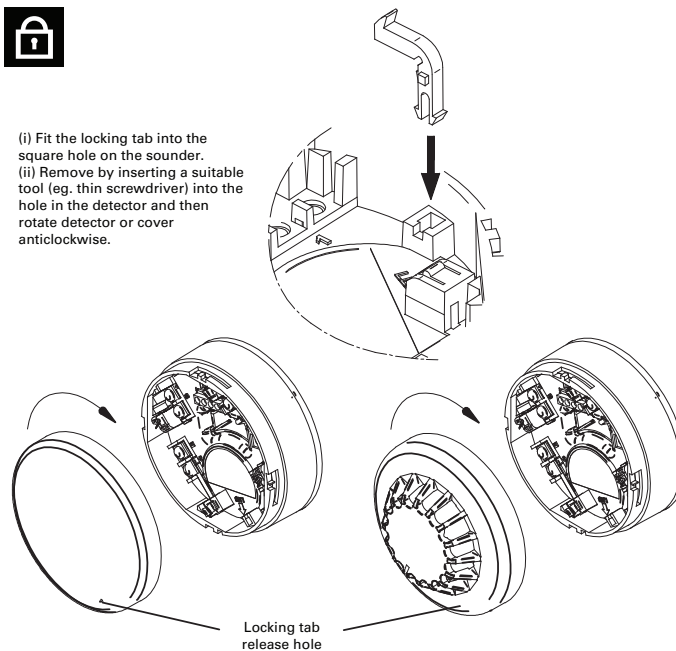


Clip Sounder onto base.
If sounder needs to be removed use a small screwdriver to unclip.

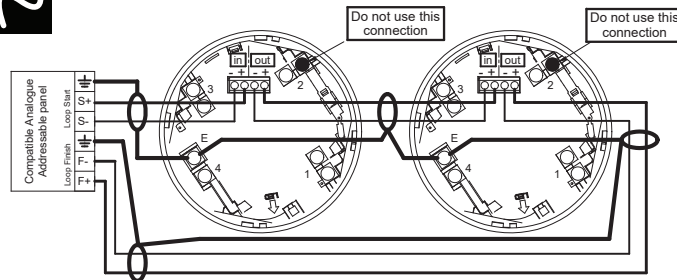
Do not bring excessive cable into the sounder/beacon as this can interfere with the fitting of the detector, keep cable tails to a minimum.



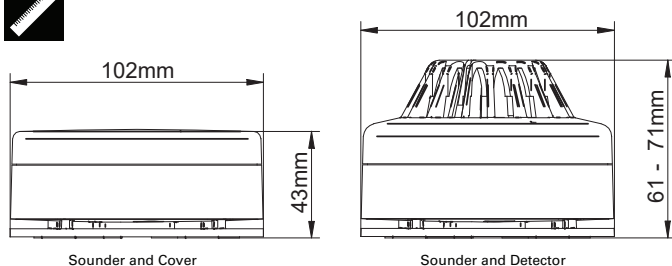
- (i) Fit the locking tab into the square hole on the sounder.
- (ii) Remove by inserting a suitable tool (eg. thin screwdriver) into the hole in the detector and then rotate detector or cover anticlockwise.



Locking tab release hole



WARNING Do NOT use high voltage testers if ANY equipment is connected to the system. Earth screen must be continuous along entire length of loop.



Sounder and Cover

Sounder and Detector