

Industrial notification devices

Industrial products catalogue

Signalling a change in the most demanding environments



EATON

Powering Business Worldwide



We make what matters work.*



Every day, people depend on things like technology, transportation, energy and infrastructure to keep their daily lives on track. But without power, none of it would be possible. That's why companies around the world turn to Eaton. We're dedicated to improving people's lives and the environment with innovative technologies that help manage power more safely, reliably and sustainably. To meet today's challenges, and tomorrow's. Because this is what really matters. And we're here to make sure it works.

To learn more go to: [Eaton.com/whatmatters](https://www.eaton.com/whatmatters)

We make what matters work.

EATON

Powering Business Worldwide

1.1	Sounders				1
	Asserta Mini sounder	6			
	Asserta Midi sounder	7			2
	Asserta Maxi sounder	8			3
	X10 Mini sounder	9			
	X10 Midi sounder	10			4
	X10 Maxi sounder	11			5
	Askari Panel sounder	12			
	Askari Flange sounder	13			6
	RoLP sounder	14			
2.1	Beacons and sounder beacons				
	Asserta Mini sounder beacon	17			
	Asserta Midi sounder beacon	18			
	Asserta Maxi sounder beacon	19			
	X10 Mini sounder beacon	20			
	X10 Midi sounder beacon	21			
	X10 Maxi sounder beacon	22			
	Flashni sounder with xenon beacon	23			
	RoLP Maxi Solista sounder with LED	24			
	Solista Maxi LED beacon	25			
	Solex xenon beacon (LED option)	26			
	Asserta beacon	27			
	Xenon single flash	28			
	Xenon double flash	29			
	Rotating mirror	30			
	LED Multifunction	31			
	EVS beacon	32			
	Warning beacon accessories	33			
	BLK 5j xenon	34			
	BLK 15j xenon	35			
	BLK 5j xenon low temperature	36			
	BLK LED	37			
	BLK Super LED	38			
	BLG 10j xenon	39			
	BLG LED multifunction	40			
3.1	Signalling				
	Combi signalling unit	43			
	Signal Tower SL7 & and SL4	44			
	Alpha 1 and 3	45			
4.1	Bells				
	CF motorised bell	49			
	FB bell	50			
	AW signalling bell	51			
5.1	Hazardous areas				
	BG2 explosion-proof manual call point	55			
	DB3 explosion-proof sounder	56			
	DWG21 signalling bell	57			
	LD15 high intensity LED beacon	58			
	XB15 range 5, 10 & 15 joule xenon beacons	59			
	BDK 22 5j	60			
	BG3 intrinsically safe manual call point	61			
	DB5 intrinsically safe sounder	62			
	DB7 intrinsically safe sounder	63			
	Barriers and isolators intrinsically safe	64			
	Accessories				
	Bases	67			
6.1	Part numbers				
	Part numbers	69-76			

Sounders

Using expertise gained from many years of fire sounder development, Eaton's Industrial products incorporate innovative ideas and concepts for both electrical and acoustic design, providing class leading efficiency alongside high build quality. The sounder portfolio features the Asserta range, ideal for demanding environments due to its robust design and an ingress protection rating of IP66, as well as the IP65 rated Askari, designed for use in control panels or equipment housing.





Description	Page
Sounders page	
Asserta Mini Sounder	6
Asserta Midi Sounder	7
Asserta Maxi Sounder	8
X10 Mini sounder	9
X10 Midi sounder	10
X10 Maxi Sounder	11
Askari Panel sounder	12
Askari Flange sounder	13
RoLP sounder	14

Asserta Mini sounder

The Asserta Mini sounder is a versatile, compact unit that has been designed for industrial environments or areas where there is a requirement for a robust alarm. Available for use in a wide range of fire and process systems.



Technical specification

Voltage	9 - 60Vdc
	110 - 230Vac
Current	13mA @ 24Vdc (Typical Tone 3)
	20mA @ 230Vac (Typical Tone 3)
Sound output	105dB (Typical Tone 3)
Tones	32
Alarm stages	2
Monitoring	Reverse Polarity (dc version)
Temperature	- 25°C to + 70°C
Protection	IP66
Construction	ABS
Weight	0.30Kg (dc version)
	0.36Kg (mains version)
Colour	Red or grey

Features

- 32 tones
- Wide operating voltage
- IP66 protection
- Compact enclosure

Benefits

- Ideal for all general signalling applications
- Adaptable to all types of installation

Reference	Catalogue no.	Description
AS/N/S/9-60V/R	7061154FUL-0105	Asserta Mini Sounder, Red, 9 to 60Vdc
AS/N/S/9-60V/G	7092269FUL-0146	Asserta Mini Sounder, Grey, 9 to 60Vdc
AS/N/110-230/R	7063134FULL-0155	Asserta Mini Sounder, Red, 110 to 230Vac
AS/N/SV/S/110-230V/G	7092268FUL-0145	Asserta Mini Sounder, Grey, 110 to 230Vac
AS/M/S/115-230/G	7092267FUL-0144	Asserta Mini Sounder, Grey, 115 to 230Vac
AS/S/115-230/G/120	7092274FUL-0151	Asserta Mini Sounder, Grey, 115 to 230Vac

Asserta Midi sounder

The Asserta Midi sounder is a versatile, compact unit that has been designed for industrial environments or areas where there is a requirement for a robust alarm. Available for use in a wide range of fire and process systems.



Technical specification

Voltage	9 - 60Vdc
	24Vac
	115 - 230Vac
Current	24mA @ 24Vdc (Typical Tone 3)
	23mA @ 24Vac (Typical Tone 3)
	12mA @ 230Vac (Typical Tone 3)
Sound output	108dB(A) @ 24Vdc (Typical Tone 3)
	108dB(A) @ 24Vac (Typical Tone 3)
	112dB(A) @ 230Vac (Typical Tone 3)
Tones	32
Alarm stages	2
Monitoring	Reverse polarity (dc only)
Temperature	- 25°C to + 70°C
Protection	IP66
Construction	ABS
Weight	0.5Kg (dc version)
	0.7Kg (mains version)
Colour	Red or grey

Features

- 112dB(A) output
- 32 alarm tones
- 2 stage alarm
- Robust design with IP66 protection

Benefits

- For fire and general signalling use
- Large range of tone options
- Signals for different alarm levels

Reference	Catalogue no.	Description
AS/M/S/9-60V/R	7041134FUL-0020X	Asserta Midi Sounder, Red, 9 to 60Vdc
AS/M/S/9-60/G	7041214FUL-0176X	Asserta Midi Sounder, Grey, 9 to 60Vdc
AS/M/S/115/230/R	7042134FUL-0023	Asserta Midi Sounder, Red, 115Vac/230Vac
AS/M/S/115-230/G	7092267FUL-0144	Asserta Midi Sounder, Grey, 115Vac/230Vac
AS/M/S/24VAC/R	7044134FUL-0022	Asserta Midi Sounder, Red, 24Vac (24Vdc polarity reversal tone select)

Asserta Maxi sounder

The Asserta Maxi sounder is a versatile, compact unit that has been designed for industrial environments or areas where there is a requirement for a robust alarm. Available for use in a wide range of fire and process systems.



Technical specification

Voltage	18 - 28Vdc / 115 - 230Vac
Current	110dB(A) - 105mA @ 24Vdc
	120dB(A) - 450mA @ 24Vdc
	110dB(A) - 40mA @ 230Vac
	120dB(A) - 65mA @ 230Vac
Output	110dB(A) (Typical Tone 3)
	120dB(A) (Typical Tone 3)
Tones	42
Alarm stages	3
Volume control	120dB(A)
Time out	5 mins - 40 mins (user selectable)
Monitoring	Reverse polarity (dc version)
Temperature	- 25°C to + 70°C
Protection	IP66
Construction	ABS
Weight	1.6Kg (dc version)
	2.5Kg (mains version)
Colour	Red or grey

Features

- Powerful 120dB(A) output
- 3 stage alarm and time out function
- 42 alarm tones
- Robust design with IP66 protection

Benefits

- Maximum sound output for high noise environments
- 3 levels of alarm for differing warning states
- Large range of tone options

Reference	Catalogue no.	Description
AS/S/115-230/R/110	7013114FUL-0013	Asserta Sounder, 115/230Vac, Red, 110dB
AS/S/115-230/R/120	7013124FUL-0014	Asserta Sounder, 115/230Vac, Red, 120dB
AS/S/115-230G/120	7092274FUL-0151	Asserta Sounder, 115/230Vac, Grey, 120dB
AS/S/24/110/R	7011114FUL-0011X	Asserta Sounder, 24Vdc, Red, 110dB
AS/S/24/G/110	7011214FUL-0044	Asserta Sounder, 24Vdc, Grey, 110dB
AS/S/24/120/R	7011124FUL-0012X	Asserta Sounder, 24Vdc, Red, 120dB

X10 Mini Sounder

The X10 Mini sounder is an industrial signaling alarm, available in 4 fade resistant body colours, and high and low voltage variants. It is certified to IP66 and IP69K, and verified to operate at extreme temperatures -40°C to 70°C, and is therefore suitable for use in harsh conditions where a robust industrial sounder is required. The X10 Mini sounder comes with an Eaton 10 year Extended Warranty and offers up to 100 dB(A) with 102 tones, and a versatile 4 stage alarm to allow you to retrofit to an existing installation.



Technical specification

	Low voltage DC / AC product		AC Mains product	
Rated voltage	10V - 60V DC	10V - 30V AC	115V AC	230V AC
Sounder only* (Din Tone, High Vol)	20 - 35 mA	50 - 85 mA	72 mA	32 mA
Sound output	100dB			
Alarm tones	102			
Alarm stages	4			
Stage control options	+ve low voltage trigger -ve low voltage trigger +ve supply voltage trigger -ve supply voltage trigger Reverse polarity trigger		Dry /0 volt contact trigger Timeout function 10dB volume control	
Operating temperature	-40°C to +70°C			
Ingress Protection (IP) rating	IP66 and IP69K (dust ingress/high pressure water jets)			
Warranty	10 years**			
Material	UV stabilised polycarbonate ASA			
Colour - housing	Red (RAL 3001) White (RAL9003) Dark grey (RAL7012) Light grey (RAL7035)			
Cable entry	Top: 2 x M20 threaded cable entries Bottom: 1 x M20 threaded cable entry			
Connecting terminals	up to 2.5mm ²			
Weight	0.765kg (AC Mains); 0.480kg (Low voltage DC / AC)			

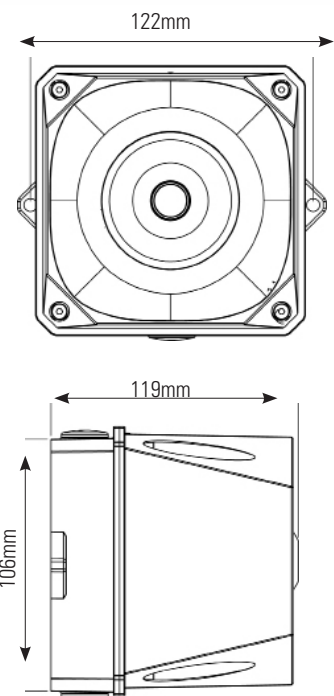
* Supply current range is based on variation of the supply voltage. A change in Tone, Volume or Beacon settings will also impact the supply current.
** Terms and Conditions apply

Features

- 100 dB(A) output
- IK08 Impact resist and Dual IP Rated to IP66 and IP69K
- 10 year warranty**
- 102 tones

Benefits

- M20 pre drilled threaded cable entries fitted with IP69K blanking plugs as standard
- UV stabilised polycarbonate ASA
- Low Inrush current with a range of dB(A) outputs



Catalogue no.	Reference	Description
7092345FUL-0381	X10/CE/MN/R1/10-60 VAC-DC	X10 mini, red housing, 10-60 VAC-DC
7092346FUL-0382	X10/CE/MN/R1/115/230 VAC	X10 mini, red housing, 115/230 VAC
7092347FUL-0383	X10/CE/MN/W1/10-60 VAC-DC	X10 mini, white housing, 10-60 VAC-DC
7092348FUL-0384	X10/CE/MN/W1/115/230 VAC	X10 mini, white housing, 115/230 VAC
7092349FUL-0385	X10/CE/MN/G1/10-60 VAC-DC	X10 mini, industrial grey housing, 10-60 VAC-DC
7092350FUL-0386	X10/CE/MN/G1/115/230 VAC	X10 mini, industrial grey housing, 115/230 VAC
7092351FUL-0387	X10/CE/MN/G2/10-60 VAC-DC	X10 mini, soft grey housing, 10-60 VAC-DC
7092352FUL-0388	X10/CE/MN/G2/115/230 VAC	X10 mini, soft grey housing, 115/230 VAC

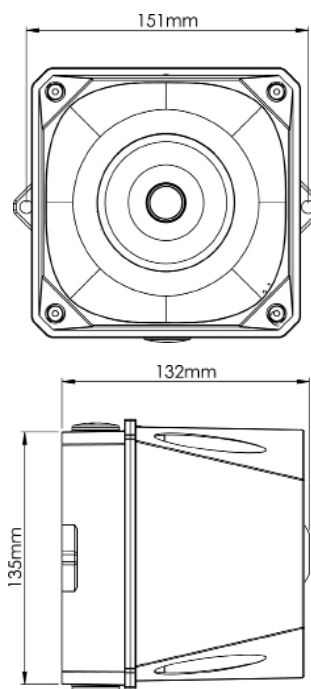
X10 Midi Sounder

The X10 Midi sounder is an industrial signaling alarm, available in 4 fade resistant body colours, and high and low voltage variants. It is certified to IP66 and IP69K, and verified to operate at extreme temperatures -40°C to 70°C, and is therefore suitable for use in harsh conditions where a robust industrial sounder is required. The X10 Midi sounder comes with an Eaton 10 year Extended Warranty and offers up to 110 dB(A) with 102 tones, and a versatile 4 stage alarm to allow you to retrofit to an existing installation.



Technical specification

	Low voltage DC / AC product		AC Mains product	
Rated voltage	10V - 60V DC	10V - 30V AC	115V AC	230V AC
Sounder only* (Din Tone, High Vol)	35 - 100 mA	75 - 150 mA	69 mA	34 mA
Sound output	110dB			
Alarm tones	102			
Alarm stages	4			
Stage control options	+ve low voltage trigger -ve low voltage trigger +ve supply voltage trigger -ve supply voltage trigger Reverse polarity trigger		Dry /0 volt contact trigger	
Operating temperature	-40°C to +70°C			
Ingress Protection (IP) rating	IP66 and IP69K (dust ingress/high pressure water jets)			
Warranty	10 years**			
Material	UV stabilised polycarbonate ASA			
Colour - housing	Red (RAL 3001) White (RAL9003) Dark grey (RAL7012) Light grey (RAL7035)			
Cable entry	Top: 2 x M20 threaded cable entries Bottom: 1 x M20 threaded cable entry			
Connecting terminals	up to 2.5mm ²			
Weight	0.990kg (AC Mains); 0.705kg (Low voltage DC / AC)			



* Supply current range is based on variation of the supply voltage. A change in Tone, Volume or Beacon settings will also impact the supply current.

** Terms and Conditions apply

Features

- 110dB(A) output
- IK08 Impact resist and Dual IP Rated to IP66 and IP69K
- 10 year warranty**
- 102 tones facilitates install and retrofits accommodating a wide range of Industry requirements

Benefits

- M20 pre drilled threaded cable entries fitted with IP69K blanking plugs as standard
- UV stabilised polycarbonate ASA
- Low Inrush current with a range of dB(A) outputs

Catalogue no.	Reference	Description
7092323FUL-0359	X10/CE/MD/R1/10-60 VAC-DC	X10 midi, red housing, 10-60 VAC-DC
7092324FUL-0360	X10/CE/MD/R1/115/230 VAC	X10 midi, red housing, 115/230 VAC
7092325FUL-0361	X10/CE/MD/W1/10-60 VAC-DC	X10 midi, white housing, 10-60 VAC-DC
7092326FUL-0362	X10/CE/MD/W1/115/230 VAC	X10 midi, white housing, 115/230 VAC
7092327FUL-0363	X10/CE/MD/G1/10-60 VAC-DC	X10 midi, dark grey housing, 10-60 VAC-DC
7092328FUL-0364	X10/CE/MD/G1/115/230 VAC	X10 midi, dark grey housing, 115/230 VAC
7092329FUL-0365	X10/CE/MD/G2/10-60 VAC-DC	X10 midi, light grey housing, 10-60 VAC-DC
7092330FUL-0366	X10/CE/MD/G2/115/30 VAC	X10 midi, light grey housing, 115/230 VAC

X10 Maxi Sounder

The X10 Maxi sounder is an industrial signaling alarm, available in 4 fade resistant body colours, and high and low voltage variants. It is certified to IP66 and IP69K, and verified to operate at extreme temperatures -30°C to 70°C, and is therefore suitable for use in harsh conditions where a robust industrial sounder is required. The X10 Maxi sounder comes with an Eaton 10 year Extended Warranty and offers up to 120 dB(A) with 102 tones, and a versatile 4 stage alarm to allow you to retrofit to an existing installation.

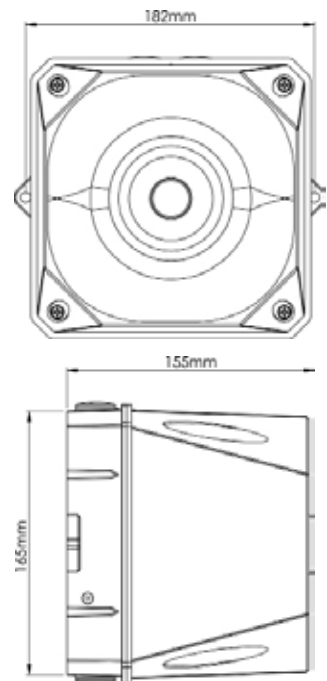


Technical specification

	Low voltage DC / AC product		AC Mains product	
Rated voltage	10V - 60V DC	10V - 30V AC	115V AC	230V AC
Sounder only* (Din Tone, High Vol)	235 - 1600 mA	650 - 2720 mA	160 mA	83 mA
Sound output	120dB			
Alarm tones	102			
Alarm stages	4			
Stage control options	+ve low voltage trigger -ve low voltage trigger +ve supply voltage trigger -ve supply voltage trigger Reverse polarity trigger		Dry /0 volt contact trigger	
Operating temperature	-30°C to +70°C			
Ingress Protection (IP) rating	IP66 and IP69K (dust ingress/high pressure water jets)			
Warranty	10 years**			
Material	UV stabilised polycarbonate ASA			
Colour - housing	Red (RAL 3001) White (RAL9003) Dark grey (RAL7012) Light grey (RAL7035)			
Cable entry	Top: 2 x M20 threaded cable entries Bottom: 1 x M20 threaded cable entry			
Connecting terminals	up to 2.5mm ²			
Weight	2.395kg (AC Mains); 1.830kg (Low voltage DC / AC)			

* Supply current range is based on variation of the supply voltage. A change in Tone, Volume or Beacon settings will also impact the supply current.

** Terms and Conditions apply



Features

- 120dB(A) output
- 102 tones facilitates install and retrofits accommodating a wide range of Industry requirements
- 4 fade resistant housing colours available

Benefits

- M20 pre drilled threaded cable entries fitted with IP69K blanking plugs as standard
- UV stabilised polycarbonate ASA

Catalogue no.	Reference	Description
7092307FUL-0343	X10/CE/MA/R1/10-60 VAC-DC	X10 maxi, red housing, 10-60 VAC-DC
7092308FUL-0344	X10/CE/MA/R1/115/230 VAC	X10 maxi, red housing, 115/230 VAC
7092309FUL-0345	X10/CE/MA/W1/10-60 VAC-DC	X10 maxi, white housing, 10-60 VAC-DC
7092310FUL-0346	X10/CE/MA/W1/115/230 VAC	X10 maxi, white housing, 115/230 VAC
7092311FUL-0347	X10/CE/MA/G1/10-60 VAC-DC	X10 maxi, dark grey housing, 10-60 VAC-DC
7092312FUL-0348	X10/CE/MA/G1/115/230 VAC	X10 maxi, dark grey housing, 115/230 VAC
7092313FUL-0349	X10/CE/MA/G2/10-60 VAC-DC	X10 maxi, light grey housing, 10-60 VAC-DC
7092314FUL-0350	X10/CE/MA/G2/115/230 VAC	X10 maxi, light grey housing, 115/230 VAC

Askari Panel - process sounder

A compact sounder, designed to fit through the fascias of control panels or equipment housings. The single nut fixing ensures simple installation and maximum audibility, while the high IP rating allows installation in most process and industrial environments.



Technical specification

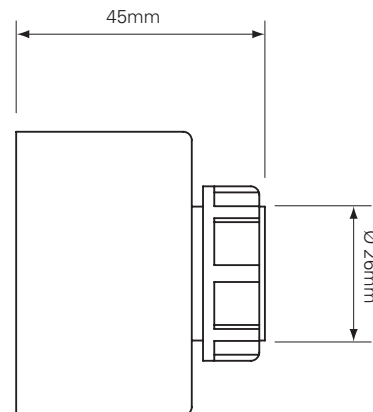
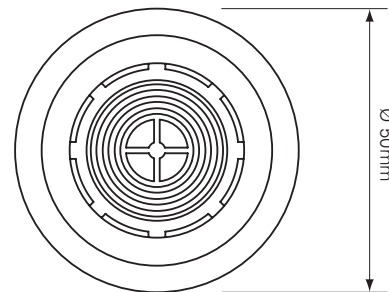
Voltage	9-28Vdc, 24Vac
Current	18mA (Typical Tone 3)
Sound output	92dB(A)
Tones	32
Alarm stages	2
Temperature	- 25°C to + 70°C
Protection	IP65
Construction	ABS
Weight	0.09kg
Colour	Red or white

Features

- Small size
- Dedicated panel fixing
- 9Vdc to 28Vdc
- IP65 protection

Benefits

- Easily accommodated
- Easy to fit into control equipment enclosures
- Accepts most common DC supplies
- Can be used in internal and external equipment



Reference	Catalogue no.	Description
AP/W/S/VC	560002FULL-0072	Askari Panel Mounting Sounder, White, Tone Select Switch, Volume Control
AP/R/S VC	560013FULL-0021	Askari Panel Mounting Sounder, Red, Tone Select Switch, Volume Control
AP/SV/W/S/VC/24VAC	562002FULL-0076	Askari Panel, 24V, White Base, Switch, Volume Control

Askari Flange - process sounder

The small size of the Askari Flange allows it to be surface mounted in almost any location, either within or external to equipment housings. The high IP rating allows it to be used in most environments.



Technical specification

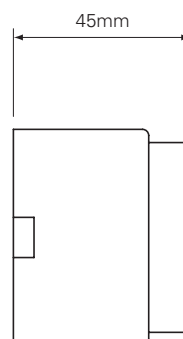
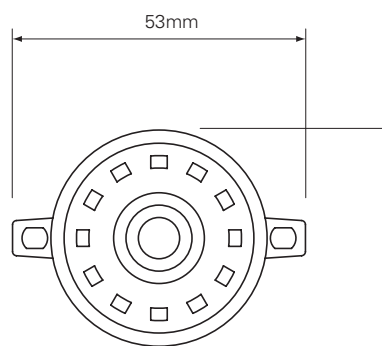
Voltage range	9 - 28Vdc
Current	18mA (Typical Tone 3)
Sound output	92dB(A) (Typical Tone 3)
Tones	32
Alarm stages	2
Temperature	- 25°C to + 70°C
Protection	IP65
Construction	ABS
Weight	0.09Kg
Colour	Red or white

Features

- Small size
- Flange type fixing
- 9Vdc to 28Vdc
- IP65 protection

Benefits

- Easily fitted within or on control cabinets
- Can be fitted easily to most surfaces
- Accepts most common DC supplies
- Can be used in exposed locations



Reference	Catalogue no.	Description
AF/R/S/VC	570033FULL-0058	Askari Flange Mounting Sounder, Red, Tone Select Switch, Volume Control
AF/W/S/VC	570011FULL-0054	Askari Flange Mounting Sounder, White, Tone Select Switch, Volume Control

RoLP sounder

The Roshni Low Profile (RoLP) is the market leading conventional sounder for fire alarms. It is also found in much wider applications such as security, general signalling and process alarms. The wide operating voltage and range of tones available to the user make this flexible sounder adaptable in diverse applications.



Technical specification

Voltage	9-28Vdc
	24Vac version available
Current	12mA (Typical Tone 3)
Sound output	102dB(A) (Typical Tone 3)
Tones	32
Alarm stages	2
Volume control	10dB
Monitoring	Reverse polarity
Temperature	- 25°C to + 70°C
Protection	IP54 (s)* IP65 (d)*
Construction	ABS
Weight	0.25Kg
Colours	Red or white

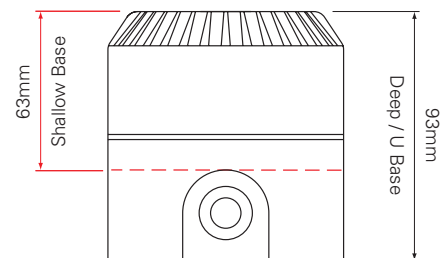
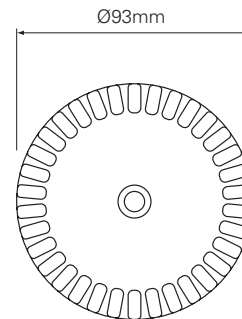
Note: (*1) 110 to 230Vac with powered base
 (s)* Shallow Base
 (d)* Deep / U Base

Features

- 32 tones (user selectable)
- Wide voltage range
- Secure bayonet fit base
- Volume control

Benefits

- Fire approved tones as well as general signalling options
- Suitable for fire, security and industrial supplies
- Quick fitting for easy installation
- Reduce output to suit the location



Reference	Catalogue no.	Description
ROLP/SV/R/S	540501FULL-0389X	RoLP, Shallow Base, Red
ROLP/SV/W/S	540502FULL-0406X	RoLP, Shallow Base, White
ROLP/SV/R/D	540503FULL-0403X	RoLP, Deep Base, Red
ROLP/SV/W/D	540504FULL-0410X	RoLP, Deep Base, White
ROLP/SV/R/D + MAINS MODULE	547026FULL-0810	ROLP, Deep Base, Red + Mains Mod
ROLP/SV/W/D + MAINS MODULE	547027FULL-0811	ROLP, Deep Base, White + Mains Mod

Beacons and sounder beacons

This product range is ideal for situations where an audible alarm needs to be supported by a visual signal. The range includes a variety of high output warning beacons and sounder beacons, whose robust construction and environmental protection make them ideal for plant and process installations. As with Eaton's fire range, the xenon and halogen units are supplemented by a number of multi-function, reliable and durable LED products. The long operational life of LEDs is beneficial where maintenance and access may be restricted.





Description	Page
Beacons and sounder beacons	
Asserta mini sounder beacon	17
Asserta midi sounder beacon	18
Asserta maxi sounder beacon	19
X10 Mini sounder beacon	20
X10 Midi sounder beacon	21
X10 Maxi sounder beacon	22
Flashni sounder with xenon beacon	23
RoLP Maxi Solista sounder with LED	24
Solista Maxi LED beacon	25
Solex xenon beacon	26
Asserta beacon	27
Xenon single flash	28
Xenon double flash	29
Rotating mirror	30
LED multifunction	31
EVS Beacon	32
Warning beacon accessories	33
BLK 5j Xenon	34
BLK 15j Xenon	35
BLK 5j Xenon low temperature	36
BLK LED	37
BLK Super LED	38
BLG 10j xenon	39
BLG LED Multifunction	40

Asserta Mini sounder beacon

The Asserta Mini sounder beacon is a versatile, compact unit that has been designed for industrial environments or areas where there is a requirement for a robust alarm. Available for use in a wide range of fire and process systems.



Technical specification

Voltage	9 - 60Vdc
	115 - 230Vac
Current (sounder and beacon)	198mA @ 24Vdc (Typical Tone 3)
	68 - 80mA @ 230Vac (Typical Tone 3)
Sound output	105dB
Tones	32
Alarm stages	2
Flash power	2j
Flash rate	1Hz
Monitoring	Reverse Polarity (dc version)
Temperature	- 25°C to + 70°C
Protection	IP66
Construction	ABS, PC Lens
Weight	0.43Kg (dc version)
	0.55Kg (ac version)
Colour	Red or grey
Lens colour	Red, amber, blue or clear

Features

- 32 tones (user selectable)
- Wide operating voltages
- Integrated beacon
- 4 lens colours

Benefits

- Ideal for all general signalling applications
- Adaptable to all types of installations

Reference	Catalogue no.	Description
AS/N/SB/115-230V/R/RL	7062154FUL-0106	Asserta Mini Sounder/Beacon, 115/230Vac, Red, Red Lens
AS/N/SV/SB/9-60V/G/AL	7092270FUL-0147	Asserta Mini Sounder/Beacon, 9 to 60Vdc, Grey, Amber Lens
AS/N/SB/115-230V/G/AL	7092271FUL-0148	Asserta Mini Sounder/Beacon, 115/230Vac, Grey, Amber Lens
AS/N/SB/115-230/R/AL	7092278FUL-0166	Asserta Mini Sounder/Beacon, 115/230Vac, Red, Amber Lens
AS/N/SB/110-230/G/BL	7092284FUL-0191	Asserta Mini Sounder/Beacon, 115/230Vac, Grey, Blue Lens
AS/N/SB/115-230V/R/BL	7092286FUL-0193	Asserta Mini Sounder/Beacon, Mains, Red, Blue Lens

Asserta Midi sounder beacon

The Asserta Midi sounder beacon is a versatile, compact unit that has been designed for industrial environments or areas where there is a requirement for a robust alarm. Available for use in a wide range of fire and process systems.



Technical specification

Voltage range	9 - 60Vdc
	115Vac
	230Vac
Current sounder	23mA @ 24Vdc (Typical Tone 3)
	12mA @ 230Vac (Typical Tone 3)
Current beacon	200mA @ 24Vdc
	30mA @ 230Vac
Sound output	108dB(A) @ 24Vdc (Typical Tone 3)
	112dB(A) @ 230Vac (Typical Tone 3)
Tones	32
Alarm stages	2
Flash Power	2.5j
Flash Rate	1Hz
Monitoring	Reverse polarity (dc version)
Temperature	- 25°C to + 70°C
Protection	IP66
Construction	ABS
Weight	0.8Kg
Colour	Red or grey
Lens Colour	Red, amber, blue or clear

Features

- 112dB(A) output
- 32 alarm tones
- IP66 protection
- Asymmetric beacon

Benefits

- Excellent for general signalling use
- Large range of tone options to suit all alarm functions
- For demanding environments

Reference	Catalogue no.	Description
AS/M/SB/230/R/RL	7052111FUL-0130	Asserta Midi, Sounder/Beacon 230Vac, Red, Red Lens
AS/M/SB/115/R/AL	7092266FUL-0142	Asserta Midi, Sounder/Beacon 115Vac, Grey, Amber Lens
AS/M/SB/230/R/AL	7052212FUL-0116	Asserta Midi, Sounder/Beacon, 230Vac, Red, Amber Lens
AS/M/SB/230/R/CL	7052213FUL-0125	Asserta Mini, Sounder/Beacon, 230Vac, Red, Clear Lens
AS/M/SB/115V/R/RL	7054111FUL-0046	Asserta Midi, Sounder/Beacon, 115Vac, Red, Red Lens
AS/M/SB/115/G/AL	7092287FULL-0194	Asserta Midi, Sounder/Beacon, 115Vac, Grey Base, Amber Lens

Asserta Maxi sounder beacon

The Asserta Maxi sounder beacon is a versatile, compact unit that has been designed for industrial environments or areas where there is a requirement for a robust alarm. Available for use in a wide range of fire and process systems.



Technical specification

Voltage	18 - 30Vdc 230Vac
Current sounder	110dB(A) 105mA @ 24Vdc (Typical Tone 3) 120dB(A) 450mA @ 24Vdc (Typical Tone 3) 110dB(A) 40mA @ 230Vac (Typical Tone 3) 120dB(A) 65mA @ 230Vac (Typical Tone 3)
Current beacon	120 - 620mA @ 24Vdc (dependant on setting) 15mA @ 230Vac
Output	110dB(A) 120dB(A)
Tones	42
Flash power	3.6j @ 24Vdc 2.0j @ 230Vac
Flash rate	1Hz (adjustable on 24Vdc)
Monitoring	Reverse polarity (dc version)
Temperature	- 25°C to + 70°C
Protection	IP66
Construction	ABS, PC
Weight	1.8Kg (dc version) 2.5Kg (mains version)
Colour	Red or grey
Lens colour	Red, amber, blue or clear

Features

- Powerful 120dB(A) output
- 3 stage alarm and time out function
- 42 alarm tones
- Asymmetric beacon

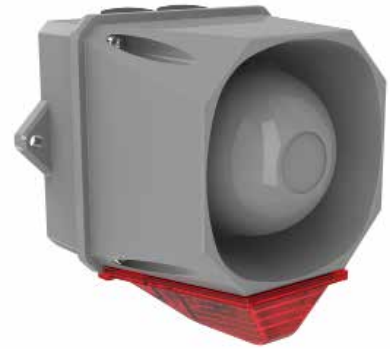
Benefits

- Maximum sound output for high noise environments
- 3 levels of alarm for differing warning states
- Large range of tone options

Reference	Catalogue no.	Description
AS/SB/24/120/R/RL	7021121FUL-0004X	Asserta Sounder/Beacon, 24Vdc, Red, 120dB, Red Lens
AS/SB/24/120/R/AL	7021122FUL-0113X	Asserta Sounder/Beacon, 24Vdc, Red, 120dB, Amber Lens
AS/SB/230/R/120/RL	7022121FUL-0006	Asserta Sounder/Beacon, 230Vac, Red, 120dB, Red Lens
AS/SB/230/R/120/AL	7022122FUL-0114	Asserta Sounder/Beacon, 230Vac, Red, 120dB, Amber Lens
AS/SB/230/G/120/AL	7092276FUL-0153	Asserta Sounder/Beacon, 230Vac, Grey, 120dB, Amber Lens
AS/SB/230/R/110/RL	7022111FUL-0005	Asserta Sounder/Beacon, 230Vac, Red, 110dB, Red Lens

X10 Mini Sounder Beacon

The X10 Mini sounder beacon is an industrial signaling alarm, available in 4 fade resistant body colours, 6 LED beacon colours, and high and low voltage variants. It is certified to IP66 and IP69K, and verified to operate at extreme temperatures -40°C to 70°C, and is therefore suitable for use in harsh conditions where a robust industrial sounder beacon is required. The X10 Mini sounder beacon comes with an Eaton 10 year Extended Warranty and offers up to 100 dB(A) with 102 tones, and a versatile 4 stage alarm to allow you to retrofit to an existing installation.



Technical specification

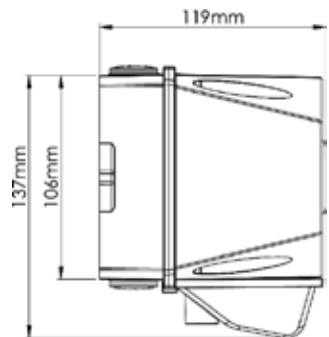
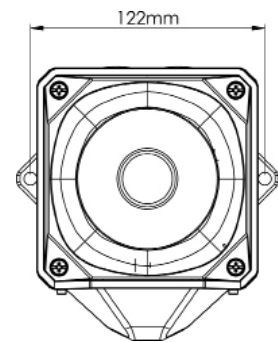
	Low voltage DC / AC product		AC Mains product	
Rated voltage	10V - 60V	DC 10V - 30V AC	115V AC	230V AC
Sounder only* (Din Tone, High Vol)	20 - 35 mA	50 - 85 mA	65 mA	32 mA
AV* (Din Tone, High Vol, 1Hz Flash)	35 - 130 mA	85 - 235 mA	67 mA	33 mA
Sound output	100dB			
Alarm tones	102			
Alarm stages	4			
Stage control options	+ve low voltage trigger -ve low voltage trigger +ve supply voltage trigger -ve supply voltage trigger Reverse polarity trigger		Dry /0 volt contact trigger	
Flash rate	0.5Hz (30FPM) / 1Hz (60FPM) / Continuous / Off			
Operating temperature	-40°C to +70°C			
Ingress Protection (IP) rating	IP66 and IP69K (dust ingress/high pressure water jets)			
Warranty	10 years**			
Material	UV stabilised polycarbonate ASA			
Colour - housing	Red (RAL 3001) White (RAL9003) Dark grey (RAL7012) Light grey (RAL7035)			
Colour - beacon	Red Magenta Amber Clear Blue Green			
Cable entry	Top: 2 x M20 threaded cable entries Bottom: 1 x M20 threaded cable entry			
Connecting terminals	up to 2.5mm ²			
Weight	0.860kg (AC Mains); 0.575kg (Low voltage DC / AC)			

* Supply current range is based on variation of the supply voltage. A change in Tone, Volume or Beacon settings will also impact the supply current.

** Terms and Conditions apply

Features

- 102 tones facilitates install and retrofits accommodating a wide range of Industry requirements.
- 10 year warranty**



Catalogue no.	Reference	Description
7092353FUL-0389	X10/CE/MNH/R1/10-60 VAC-DC	X10 mini, red housing, 10-60 VAC-DC
7092354FUL-0390	X10/CE/MNH/R1/115/230 VAC	X10 mini, red housing, 115/230 VAC
7092357FUL-0393	X10/CE/MNH/G1/10-60 VAC-DC	X10 mini, dark grey housing, 10-60 VAC-DC
7092358FUL-0394	X10/CE/MNH/G1/115/230 VAC	X10 mini, dark grey housing, 115/230 VAC
7092361FUL-0397	X10/CE/M1B/RL	X10 mini beacon, red lens
7092362FUL-0398	X10/CE/M1B/AL	X10 mini beacon, amber lens
7092363FUL-0399	X10/CE/M1B/BL	X10 mini beacon, blue lens
7092364FUL-0400	X10/CE/M1B/GL	X10 mini beacon, green lens
7092365FUL-0401	X10/CE/M1B/CL	X10 mini beacon, clear lens
7092366FUL-0402	X10/CE/M1B/ML	X10 mini beacon, magenta lens

X10 Midi Sounder Beacon

The X10 Midi sounder beacon is an industrial signaling alarm, available in 4 fade resistant body colours, 6 LED beacon colours, and high and low voltage variants. It is certified to IP66 and IP69K, and verified to operate at extreme temperatures -40°C to 70°C, and is therefore suitable for use in harsh conditions where a robust industrial sounder beacon is required. The X10 Midi sounder beacon comes with an Eaton 10 year Extended Warranty and offers up to 110 dB(A) with 102 tones, and a versatile 4 stage alarm to allow you to retrofit to an existing installation.



Technical specification

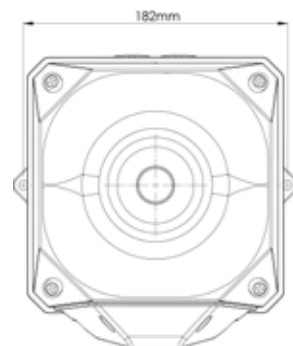
	Low voltage DC / AC product		AC Mains product	
Rated voltage	10V - 60V DC	10V - 30V AC	115V AC	230V AC
Sounder only* (Din Tone, High Vol)	35 - 100 mA	75 - 150 mA	69 mA	34 mA
AV* (Din Tone, High Vol, 1Hz Flash)	45 - 200 mA	115 - 400 mA	71 mA	35 mA
Sound output	110dB			
Alarm tones	102			
Alarm stages	4			
Stage control options	+ve low voltage trigger -ve low voltage trigger +ve supply voltage trigger -ve supply voltage trigger Reverse polarity trigger		Dry /0 volt contact trigger	
Flash rate	0.5Hz (30FPM) / 1Hz (60FPM) / Continuous / Off			
Operating temperature	-40°C to +70°C			
Ingress Protection (IP) rating	IP66 and IP69K (dust ingress/high pressure water jets)			
Warranty	10 years**			
Material	UV stabilised polycarbonate ASA			
Colour - housing	Red (RAL 3001) White (RAL9003) Dark grey (RAL7012) Light grey (RAL7035)			
Colour - beacon	Red Magenta Amber Clear Blue Green			
Cable entry	Top: 2 x M20 threaded cable entries Bottom: 1 x M20 threaded cable entry			
Connecting terminals	up to 2.5mm ²			
Weight	1.085kg (AC Mains); 0.800kg (Low voltage DC / AC)			

* Supply current range is based on variation of the supply voltage. A change in Tone, Volume or Beacon settings will also impact the supply current.

** Terms and Conditions apply

Features

- 6 lens colours available, secured by 1 single ¼ turn captive fastener
- 10 year warranty**
- Modular LED beacon capable of multiple functionality on / off; 1/2Hz (30FPM) / 1Hz (60FPM)



Catalogue no.	Reference	Description
7092331FUL-0367	X10/CE/MDH/R1/10-60 VAC-DC	X10 midi, red housing, 10-60 VAC-DC
7092332FUL-0368	X10/CE/MDH/R1/115/230 VAC	X10 midi, red housing, 115/230 VAC
7092335FUL-0371	X10/CE/MDH/G1/10-60 VAC-DC	X10 midi, dark grey housing, 10-60 VAC-DC
7092336FUL-0372	X10/CE/MDH/G1/115/230 VAC	X10 midi, dark grey housing, 115/230 VAC
7092339FUL-0375	X10/CE/M2B/RL	X10 midi beacon, red lens
7092340FUL-0376	X10/CE/M2B/AL	X10 midi beacon, amber lens
7092341FUL-0377	X10/CE/M2B/BL	X10 midi beacon, blue lens
7092342FUL-0378	X10/CE/M2B/GL	X10 midi beacon, green lens
7092343FUL-0379	X10/CE/M2B/CL	X10 midi beacon, clear lens
7092344FUL-0380	X10/CE/M2B/ML	X10 midi beacon, magenta lens

X10 Maxi Sounder Beacon

The X10 Maxi sounder beacon is an industrial signaling alarm, available in 4 fade resistant body colours, 6 LED beacon colours, and high and low voltage variants. It is certified to IP66, and verified to operate at extreme temperatures -30°C to 70°C, and is therefore suitable for use in harsh conditions where a robust industrial sounder beacon is required. The X10 Maxi sounder beacon comes with an Eaton 10 year Extended Warranty and offers up to 120 dB(A) with 102 tones, and a versatile 4 stage alarm to allow you to retrofit to an existing installation.



Technical specification

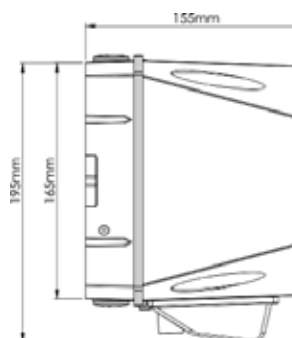
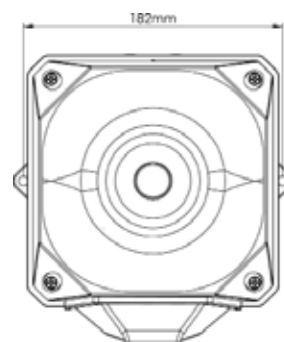
	Low voltage DC / AC product		AC Mains product	
Rated voltage	10V - 60V DC	10V - 30V AC	115V AC	230V AC
Sounder only* (Din Tone, High Vol)	235 - 1600 mA	650 - 2720 mA	160 mA	83 mA
AV* (Din Tone, High Vol, 1Hz Flash)	250 - 1725 mA	705 - 2920 mA	168 mA	87 mA
Sound output	120dB			
Alarm tones	102			
Alarm stages	4			
Stage control options	+ve low voltage trigger -ve low voltage trigger +ve supply voltage trigger -ve supply voltage trigger Reverse polarity trigger		Dry /0 volt contact trigger	
Flash rate	0.5Hz (30FPM) / 1Hz (60FPM) / Continuous / Off			
Operating temperature	-30°C to +70°C			
Ingress Protection (IP) rating	IP66 & IP69K (dust ingress/high pressure water jets)			
Warranty	10 years**			
Material	UV stabilised polycarbonate ASA			
Colour - housing	Red (RAL 3001) White (RAL9003) Dark grey (RAL7012) Light grey (RAL7035)			
Colour - beacon	Red Magenta Amber Clear Blue Green			
Cable entry	Top: 2 x M20 threaded cable entries Bottom: 1 x M20 threaded cable entry			
Connecting terminals	up to 2.5mm ²			
Weight	2.490kg (AC Mains); 1.925kg (Low voltage DC / AC)			

* Supply current range is based on variation of the supply voltage. A change in Tone, Volume or Beacon settings will also impact the supply current.

** Terms and Conditions apply

Features

- Powerful up to 120dB(A) output
- 10 year warranty**
- 4 fade resistant housing colours available



Catalogue no.	Reference	Description
7092315FUL-0351	X10/CE/MAH/R1/10-60 VAC-DC	X10 maxi, red housing, 10-60 VAC-DC
7092316FUL-0352	X10/CE/MAH/R1/115/230 VAC	X10 maxi, red housing, 115/230 VAC
7092319FUL-0355	X10/CE/MAH/G1/10-60 VAC-DC	X10 maxi, dark grey housing, 10-60 VAC-DC
7092320FUL-0356	X10/CE/MAH/G1/115/230 VAC	X10 maxi, dark grey housing, 115/230 VAC
7092368FUL-0576	X10/CE/M3B/RL	X10 maxi beacon, red lens
7092369FUL-0577	X10/CE/M3B/AL	X10 maxi beacon, amber lens
7092370FUL-0578	X10/CE/M3B/BL	X10 maxi beacon, blue lens
7092371FUL-0579	X10/CE/M3B/GL	X10 maxi beacon, green lens
7092372FUL-0580	X10/CE/M3B/CL	X10 maxi beacon, clear lens
7092373FUL-0581	X10/CE/M3B/ML	X10 maxi beacon, magenta lens

Flashni - sounder with xenon beacon

The Flashni is an audible and visual device which requires one single installation point. This greatly reduces installation costs and is less obtrusive than two separate devices. Versions are available with the sounder and beacon linked, or with separate terminals for independent operation.



Technical specification

Voltage	9 - 15Vdc (12Vdc version)
	18 - 28Vdc (24Vdc version) (*1)
Current	110mA 12Vdc version (Typical Tone 5)
	68mA 24Vdc version (Typical Tone 3)
Sound output	103dB(A) 12Vdc version (Typical Tone 5)
	101dB(A) 24Vdc version (Typical Tone 3)
Tones	32
Flash power	0.7j
Flash rate	1Hz
Volume control	10dB
Monitoring	Reverse polarity
Temperature	- 10°C to + 55°C
Protection	IP54 (s)* IP65 (d)*=
Construction	ABS, PC lens
Weight	0.33Kg
Colours	Red or white
Lens Colour	Red, amber, blue, green or clear

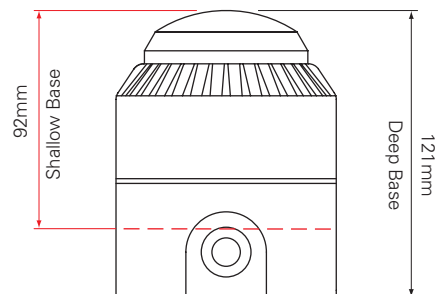
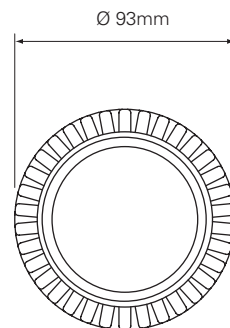
Note: (*1) 110 / 230Vac when used with a deep powered base
 (s)* Shallow base
 (d)* Deep / U base

Features

- 32 tones (user selectable)
- 12V or 24V
- Secure clip fit base
- Volume control

Benefits

- Fire approved and signalling tone options
- For fire, security and signalling
- Quick fitting for easy installation
- Reduce output to suit application



Reference	Catalogue no.	Description
FL/RL/R/S SWITCH	640025FULL-0061X	Flashni Sounder/Beacon, Red Lens, Red Body, Shallow Base, Tone Select Switch
FL/RL/R/D SWITCH	640031FULL-0111X	Flashni Sounder/Beacon, Red Lens, Red Body, Deep Base, Tone Select Switch
FL/AL/W/D SWITCH	640024FULL-0060X	Flashni Sounder/Beacon, Amber Lens, White Body, Deep Base, Tone Select Switch
FL/CL/W/D 12V SND5	640206FULL-0089	Flashni 12V Sounder/Beacon, Clear Lens, White Body, Deep Base, Tone 5
FL/BL/W/D 24V	640016FULL-0011	Flashni XE, Deep Base, 24V, White Base, Blue Lens
FL/CL/R/D/SEPARATE/ SWITCH	640466FULL-0282	Flashni XE, Deep Base, Red Base, Clear Lens, Separate Switch

RoLP Maxi Solista - sounder with LED

The RoLP Maxi Solista is an enhanced version RoLP Solista providing a higher sound output on six key alarm tones. This is an ideal audible and visual alarm for use where higher noise levels require the use of a more powerful sounder.



Technical specification

Voltage	18 - 28Vdc
Current	43mA (Typical Tone 3)
Sound output	106dB(A) (Typical Tone 3)
Tones	32
Light output	> 0.5cd
Flash rate	1Hz
Volume control	10dB
Monitoring	Reverse polarity
Temperature	- 10°C to + 55°C
Protection	IP54 (s)* IP65 (d)*
Construction	ABS, PC lens
Weight	0.3Kg
Colours	Red or white
Flash Colour	Red

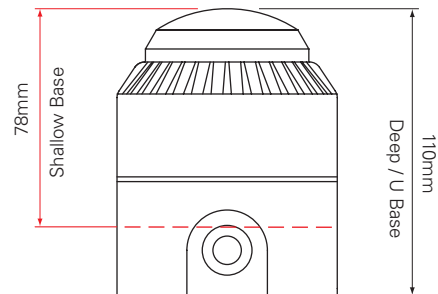
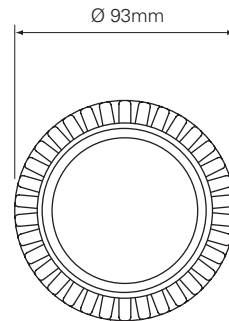
Note: (s)* Shallow base
(d)* Deep / U base

Features

- Low current – LED technology
- Single installation point
- 32 tones (user selectable)
- Two stage alarm

Benefits

- Reduced current consumption vs. Xenon alternative
- beacon and high output sounder in one package
- Fire approved and general signalling tone options
- Alert and alarm function



Reference	Catalogue no.	Description
ROLPX/SB/RL/R/S	8210119FULL-0001	RoLP Maxi Sounder Beacon, Red Lens, Red Body, Shallow Base
ROLPX/SB/RL/R/D	8210130FULL-0002	RoLP Maxi Sounder Beacon, Amber Lens, White Body, Deep Base
ROLPX/SB/RL/R/U	8210121FULL-0003	RoLP Maxi Sounder Beacon, Red Lens, Red Body, U Base

Solista Maxi - LED beacon

The Solista Maxi, a LED beacon which gives the choice between economy and performance. In the economy mode the Solista Maxi performs extremely efficiently requiring as little as 3mA. But it can be switched to attain much higher light output where visibility is the prime objective. For even greater effectiveness a double flash sequence can be selected.



Technical specification

Voltage	9 - 60Vdc (*1)
Current	3 / 5 / 15mA (user selectable)
Light output	0.5 / 1 / 3cd (user selectable)
Flash rate	Single flash @ 1Hz Double flash @ 1Hz Continuous (user selectable)
Monitoring	Reverse polarity
Temperature	- 10°C to + 55°C
Protection	IP21C (s)* IP65 (d)*
Construction	Base ABS, FR, PC lens
Weight	0.1Kg
Colour	Red or white
Flash colour	Red, amber, blue, green or white

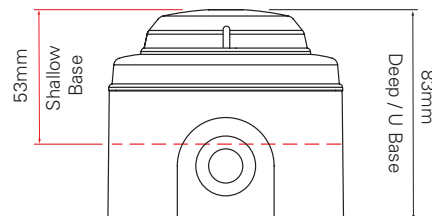
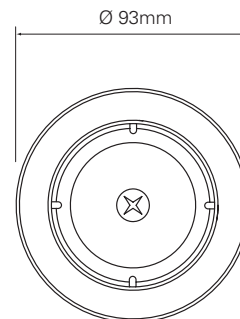
Note: (*1) 110 / 230Vac when used with a deep powered base.
(s)* Shallow base
(d)* Deep / U base

Features

- Ultra low current consumption
- LED technology
- Long service life
- Compact size

Benefits

- Use where current consumption is a key consideration
- Ensures high efficiency and long life
- Reduces maintenance costs
- Discrete option where aesthetics or space is a priority



Reference	Catalogue no.	Description
SOLX/RF/RL/R/S	811021FULL-0037	Solista Maxi, Red Body, Red Flash, Shallow Base, Red Lens
SOLX/RF/RL/R/D	811020FULL-0036	Solista Maxi, Red Body, Red Flash, Deep Base, Red Lens
SOLX/RF/CL/R/S	811041FULL-0006	Solista Maxi, Red Body, Red Flash, Clear Lens
SOLX/RF/CL/W/S	811023FULL-0039	Solista Maxi, White Body, Red Flash, Shallow Base, Clear Lens
SOLX/RF/RL/W/D	811024FULL-0040	Solista Maxi, White Body, Red Flash, Deep Base, Clear Lens
SOLX/AF/CL/R/D + MAINS MODULE	811057FULL-0082	Solista Maxi, Red Body, Amber Flash, Clear Lens, Deep Base + Mains Mod

Solex - xenon beacon

Xenon beacons are a cost effective compliment to audible alarms for use in areas of high ambient noise. The wide operating voltage and automatic synchronisation of the Solex make them a universal solution for all types of alarm and monitoring systems.



Technical specification

Voltage	10 - 60Vdc (*1)
Current	Solex 3 85 - 25mA
	Solex 10 185 - 45mA
	Solex 15 510 - 120mA (current drops at higher voltage)
Light output	Solex 3 2.5cd
	Solex 10 10cd
	Solex 15 15cd
Monitoring	Reverse polarity
Temperature	- 25°C to + 70°C
Protection	IP65
Construction Base	ABS, PC lens
Weight	0.18Kg
Colour	Red or white Base
Lens colour	Red, amber, blue, green or clear

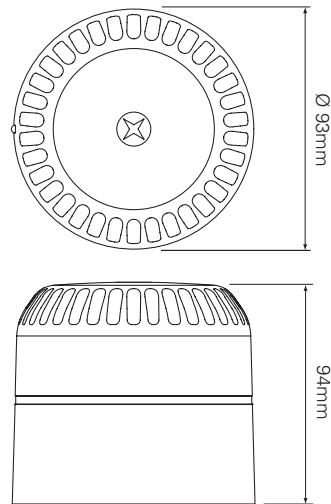
Note: (*1) 110 / 230Vac when used with a deep powered base

Features

- 3 light output options
- 5 lens colour options
- 9V - 60V
- Tamper switch option (10cd)

Benefits

- Performance to suit your application
- A colour to suit all events
- Wide operating voltage for maximum flexibility
- For use where security is an issue



Reference	Catalogue no.	Description
SO/A/DW/10	531027FULL-0085	Solex Xenon Beacon, Amber Lens, White, Deep Base, 10cd
SO/R/DR/15	531028FULL-0111	Solex Xenon Beacon, Red Lens, Red, Deep Base, 15cd
SO/A/DW/15	531029FULL-0112	Solex Xenon Beacon, Amber Lens, White, Deep Base, 15cd
SO/R/DR/10C + MAINS MOD	531024FULL-1049	Solex Xenon Beacon, Red Lens, Red, Deep Base, 10cd + Mains Mod
SO/A/DW/10C + MAINS MOD	531027FULL-1048	Solex Xenon Beacon, Amber Lens, White, Deep Base, 10cd + Mains Mod
SO/B/DW/10C + MAINS MOD	531051FULL-1051	Solex Xenon Beacon, Blue Lens, White, Deep Base, Mains, 10cd + Mains Mod

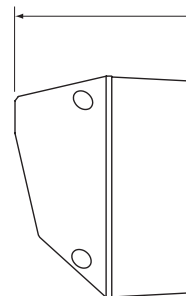
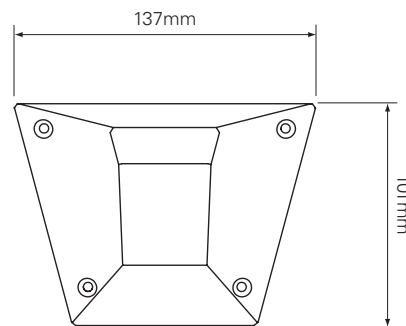
Asserta beacon

The distinctive shape of this industrial beacon and its robust construction are combined with highly efficient control of the light output to give a performance normally associated with much more powerful units. Available with different voltage supply for added versatility.



Technical specification

Range	10 - 30Vdc 230Vac
Current	250mA @ 24Vdc 15mA @ 230Vac
Flash power	3.6j (dc version) 2.0j (ac version)
Flash rate	1Hz (adjustable on 24Vdc)
Monitoring	Reverse polarity (dc version)
Temperature	- 25°C to + 70°C
Protection	IP66
Construction	ABS,PC
Weight	0.3Kg
Body Colour	Red
Lens Colours	Red, amber, blue or clear



Features

- Xenon beacon matching the Asserta range of sounders
- IP66 protection
- Adjustable flash rate (24Vdc version)
- Asymmetric light output

Benefits

- A robust beacon complementing the Asserta industrial products
- Suitable for external use
- Provides extra differentiation between alarm events
- Lens is designed to optimise light output for maximum visibility

Reference	Catalogue no.	Description
AS/B/230/RL	7032131FUL-0002	Asserta Beacon, 230Vac, Red Lens
AS/B/24/RL	7031131FUL-0001	Asserta Beacon, 24Vdc, Red Lens
AS/B/24/BL	7092298FULL-0244	Asserta Beacon, 24Vdc, Blue Lens

2

Xenon single flash - warning beacon

These versatile beacons provide a simple solution for visual warnings in noisy environments. The lens design ensures a consistent distribution of light in all directions.



Technical specification

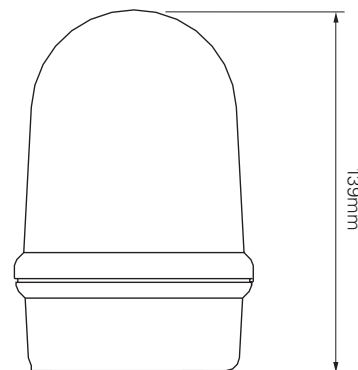
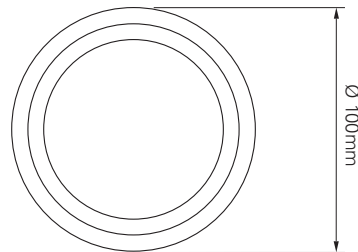
Voltage	24Vdc 230Vac
Current	300mA @ 24Vdc 150mA @ 230Vac
Light output	5j / 1Hz
Temperature	- 20°C to + 50°C
Protection	IP65
Construction	ABS, PC
Weight	0.2Kg
Colour	Black base
Lens Colour	Red, amber or blue

Features

- High light output
- IP65 protection
- Robust enclosure
- Locking lens

Benefits

- Good visibility in all directions
- Suitable for external use
- Ideal for industrial or harsh environments
- Resists unauthorised access



Reference	Catalogue no.	Description
WB/XS/R/024	753352FULL-0000	Single Flash Beacon, 24Vdc, Red

Xenon double flash - warning flash

A very bright and durable beacon, the dual high power flashes make this beacon clearly visible in most lighting and operating conditions.



Technical specification

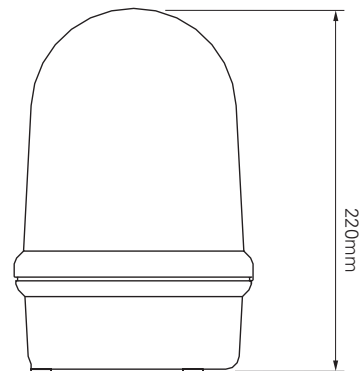
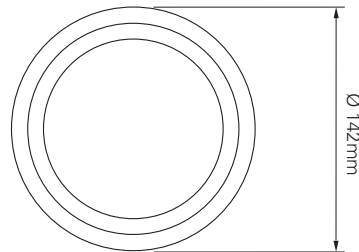
Voltage	24Vdc 230Vac
Current	800mA @ 24Vdc 200mA @ 230Vac
Light output	10j / 5j 1Hz
Temperature	- 30°C to + 50°C
Protection	IP65
Construction	ABS, PC
Weight	0.47Kg
Colour	Black base
Lens Colour	Red, amber or blue

Features

- Double flash totalling 15j
- IP65 protection
- Robust enclosure
- Locking lens

Benefits

- Excellent visibility due to extended flash duration
- Suitable for external use
- Ideal for industrial or harsh environments
- Resists unauthorised access



Reference	Catalogue no.	Description
WB/XD/R/024	753452FULL-0000	Double Flash Beacon, 24Vdc, Red
WB/XD/A/024	753412FULL-0000	Double Flash Beacon, 24Vdc, Amber
WB/XD/R/230	753454FULL-0000	Double Flash Beacon, 230Vac, Red

2

Rotating Mirror - warning beacon

These highly visible beacons are designed to be durable in harsh industrial environments. The rotating mirror assembly and balanced motor assembly allow the beacon to be mounted on both horizontal and vertical surfaces.



Technical specification

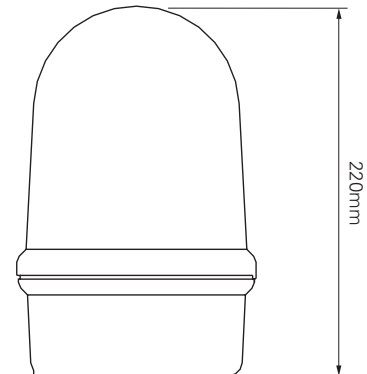
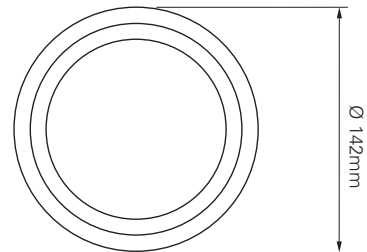
Voltage	24Vac /dc 230Vac
Current	1.6A @ 24Vdc 170mA @ 230Vac
Flash rate	3Hz
Light source	35W halogen lamp
Temperature	- 30°C to + 50°C
Protection	IP65
Construction	ABS, PC
Weight	0.67Kg
Colour	Black base
Lens Colour	Red, amber or blue

Features

- 35W Halogen light source with rotating mirror
- IP65 Protection
- Robust enclosure
- Locking lens

Benefits

- High visibility sweeping beam for maximum attention
- Suitable for external use
- Ideal for industrial or harsh environments
- Resists unauthorised access



Reference	Catalogue no.	Description
WB/RM/R/024	752152FULL-0000	Rotating Mirror Beacon, 24Vac/dc, Red
WB/RM/A/024	752112FULL-0000	Rotating Mirror Beacon, 24Vac/dc, Amber
WB/RM/A/230	752114FULL-0000	Rotating Mirror Beacon, 230Vac, Amber
WB/RM/B/024	752122FULL-0000	Rotating Mirror Beacon, 24Vac/dc, Blue

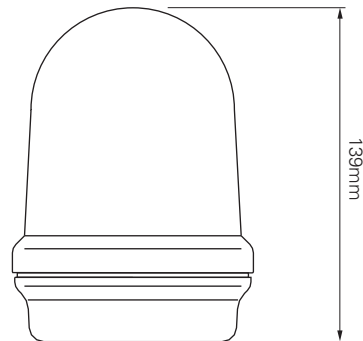
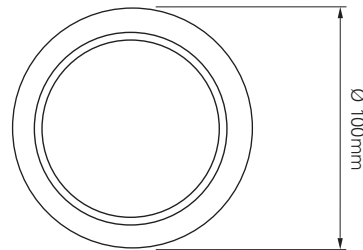
LED Multifunction - warning beacon

In addition to the long life and durability of LED light sources, the LED multifunction beacons has a choice of static, flashing and rotating modes to suit a variety of warning applications.



Technical specification

Voltage	24Vdc
Current	150mA
Flash rate	1.5Hz
Light output	Static / flash / rotate (user selectable)
Temperature	- 20°C to + 50°C
Protection	IP65
Construction	ABS, PC
Weight	0.22Kg
Colour	Black base
Lens Colour	Red or amber



Features

- 3 operating modes
- LED light source
- IP65 protection
- Locking lens

Benefits

- Provides distinct signals to differentiate between alarm conditions
- Long life, low maintenance light source
- Suitable for external use
- Resists unauthorised access

Reference	Catalogue no.	Description
WB/L/AL/024/SPR	754712FULL-0000	LED Permanent/Blinking/Rotating, 24Vac, Amber
WB/L/R/024/SPR	754752FULL-0000	LED Permanent/Blinking/Rotating, 24Vdc, Red

EVS - Enhanced visibility system

The EVS warning beacon provides a unique attention grabbing flickering light that has been developed to prevent acclimatisation. This beacon is effective in signalling extremely hazardous situations where there is a need for immediate action.



Technical specification

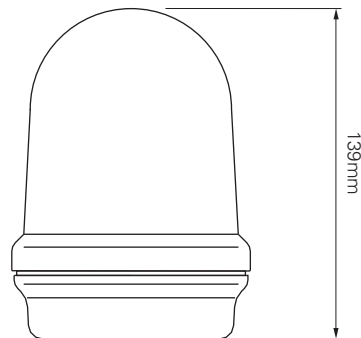
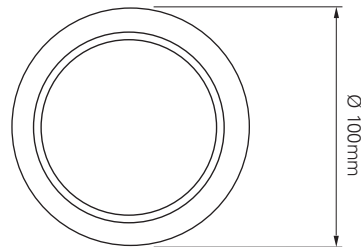
Voltage	24Vdc
Current	150mA
Flash	EVS
Light source	LED
Temperature	- 20°C to + 50°C
Protection	IP65
Construction	ABS, PC
Weight	0.29Kg
Colour	Black base
Lens Colour	Red

Features

- Unique flash pattern
- LED light source
- IP65 protection
- Locking lens

Benefits

- Unique flash has high attention grabbing properties
- Long life, low maintenance light source
- Suitable for external use
- Resists unauthorised access



Reference	Catalogue no.	Description
WB/L/R/024/EVS	755001FULL-0000	LED EVS Beacon, 24Vdc, Red
WB/L/A/024/EVS	755002FULL-0000	LED EVS Beacon, 24Vdc, Amber
WB/L/R/115-230/EVS	755004FULL-0000	LED EVS Beacon, 115-230Vac, Red
WB/L/A/115-230/EVS	755005FULL-0000	LED EVS Beacon, 115-230Vac, Amber

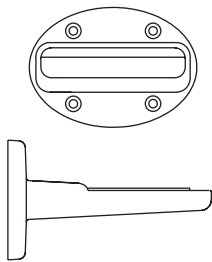
Warning beacon - accessories

WB/RX/GUARD & BRACKET
WB/L/GUARD

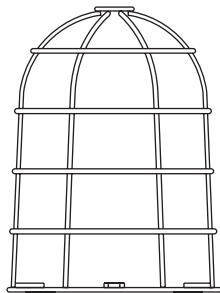
Accessories enhance the performance of the beacons and extend life by preventing accidental damage.



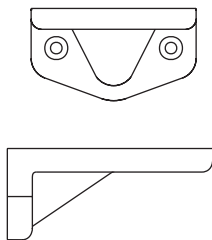
Technical specification



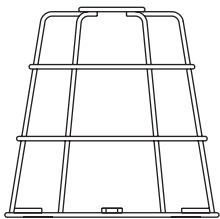
WB / RX / BRACKET
W 126mm x H 90mm x D 156mm



WB / RX / GUARD
H 155mm x DØ 230mm



WB / L / BRACKET
W 79mm x H 44mm x D 99mm



WB / L / GUARD
H 143mm x DØ 146mm



Features

- ABS right angle brackets
- Brackets allow concealed cabling
- Sturdy guards
- Corrosion resistant finish

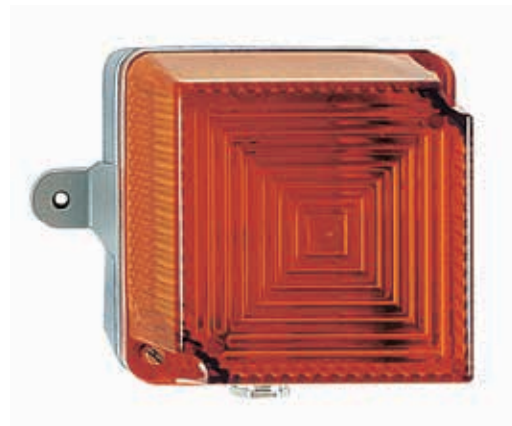
Benefits

- Allows the beacons to be mounted for optimum light distribution
- Cable is protected from damage
- Protect the beacons from severe impact damage
- Reduces maintenance

Reference	Catalogue no.	Description
WB/RX/BRACKET	750010FULL-0000	Wall Bracket for WBR & WBX Beacons
WBL/BRACKET	750020FULL-0000	Wall Bracket for WBL Beacons
WB/RX/GUARD	750001FULL-0000	Guard for WBR & WBX Beacons
WBL/GUARD	750002FULL-0000	Guard for WBL Beacons

BLK 5j Xenon

The BLK is a durable signalling beacon with a tough seawater proof aluminium base and polycarbonate lens. The 5j rating is ideal for general purpose industrial signalling.



Technical specification

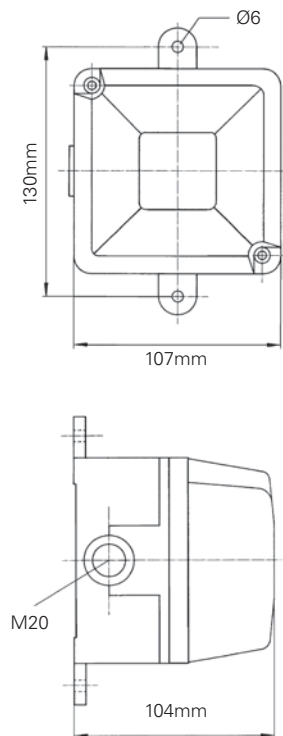
Voltage	24Vdc (15Vdc to 32Vdc) 230Vac
Current	500mA @ 24Vdc 70mA @ 230Vac
Flash rate	1Hz
Flash power	5j
Flash colour	Clear, red, amber, green, blue
Temperature	-30°C to +50°C
Protection	IP65
Construction	Lens - polycarbonate base - seawater proof coated aluminium
Weight	0.7Kg
Colours	Base - light grey

Features

- Wall mounting 5j xenon beacon
- 5 lens colours
- IP65 protection
- Salt water resistant aluminium and polycarbonate housing

Benefits

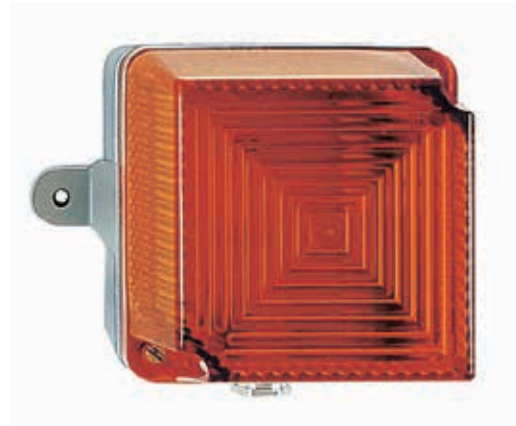
- A highly visible beacon optimised for wall mounting applications
- Signal colour to suit all events
- Internal or external use
- Suitable for use in the harshest of environments



Reference	Catalogue no.	Description
BLK40/5J/X/CL/15-32VDC	F22411401	Strobe Light BLK 40, 5j, 15-32Vdc, Clear
BLK40/5J/X/RL/15-32VDC	F22411402	Strobe Light BLK 40, 5j, 15-32Vdc, Red
BLK30/5J/X/CL/110VAC	F22411101	Strobe Light BLK 30, 5j, 110Vac, Clear
BLK30/5J/X/RL/110VAC	F22411102	Strobe Light BLK 30, 5j, 110Vac, Red
BLK30/5J/X/CL/230VAC	F22411201	Strobe Light BLK 30, 5j, 230Vac, Clear
BLK30/5J//X/RL/230VAC	F22411202	Strobe Light BLK 30, 5j, 230Vac, Red

BLK 15j Xenon

The BLK 15j is a very bright general purpose industrial beacon, with a tough seawater proof aluminium base and polycarbonate lens. The BLK 15j offers a very bright alternative to the general purpose BLK 5j.



Technical specification

Voltage	24Vdc (16Vdc to 30Vdc) 230Vac
Current	900mA at 24Vdc 250mA @230Vac
Flash rate	0.5Hz
Flash power	15j*
Flash colour	Clear, red, amber, green, blue
Temperature	-30°C to +50°C
Protection	IP65
Construction	Lens - polycarbonate base - seawater proof coated aluminium
Weight	0.7Kg
Colours	Base - light grey

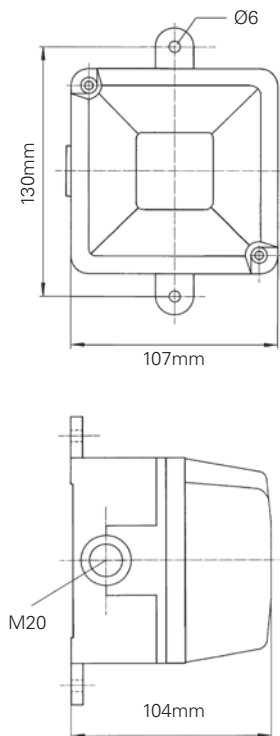
Note: *Not rated for continuous operation

Features

- Wall mounting 15j beacon
- 5 lens colours
- IP65 protection
- Salt water resistant aluminium and polycarbonate housing

Benefits

- An extremely bright beacon providing long range visibility
- Signal colour to suit all events
- Suitable for internal or external use
- Suitable for use in the harshest of environments



Reference	Catalogue no.	Description
BLK60/15J/X/CL/24VDC	F22412401	Strobe Light BLK 60, 15j, 24Vdc, Clear
BLK60/15J/X/RL/24VDC	F22412402	Strobe Light BLK 60, 15j, 24Vdc, Red
BLK60/15J/X/AL/24VDC	F22412403	Strobe Light BLK 60, 15j, 24Vdc, Amber
BLK50/15J/X/CL/230VAC	F22412201	Strobe Light BLK 50, 15j, 230Vac, Clear
BLK50/15J/X/RL/230VAC	F22412202	Strobe Light BLK 50, 15j, 230Vac, Red
BLK50/15J/X/AL/230VAC	F22412203	Strobe Light BLK 50, 15j, 230Vac, Amber

BLK 5j Xenon - low temperature

The BLK LED is a durable signalling beacon with a tough seawater proof aluminium base and polycarbonate lens. The beacon operates down to -50°C and is ideal for cold stores or areas exposed to low external temperatures.



Technical specification

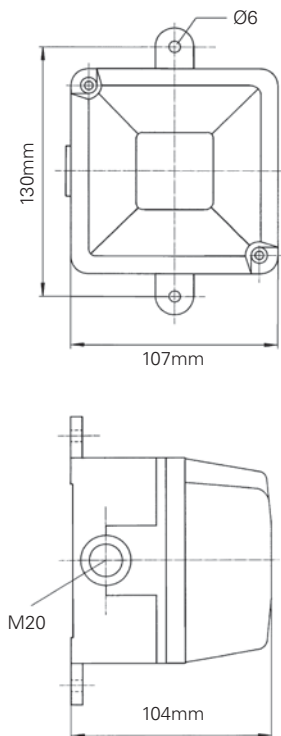
Voltage	24Vdc (16Vdc to 30Vdc)
	230Vac
Current	500mA @ 24Vdc
	70mA @ 230Vac
Flash rate	1Hz
Flash power	5j
Flash colour	Clear, red, amber, green, blue
Temperature	-50°C to +50°C
Protection	IP65
Construction	Lens - polycarbonate
	Base - seawater proof coated aluminium
Weight	0.7Kg
Colours	Base - light grey

Features

- Wall mounting 5j beacon
- -50°C to +50°C operating temperature range
- IP65 protection
- Salt water resistant aluminium and polycarbonate housing

Benefits

- A highly visible beacon optimised for wall mounting applications
- Allows use in extreme climatic conditions
- Suitable for internal or external use
- Suitable for use in the harshest of environments



Reference	Catalogue no.	Description
BLK42/5J/X/CL/24VDC/LT	F22421401	Strobe Light BLK 42, 5j, 15-32Vdc, Clear, Low temp
BLK42/5J/X/RL/24VDC/LT	F22421402	Strobe Light BLK 42, 5j, 15-32Vdc, Red, Low temp
BLK42/5J/X/AL/24VDC/LT	F22421403	Strobe Light BLK 42, 5j, 15-32Vdc, Amber, Low temp
BLK32/5J/X/CL/230VAC/LT	F22421201	Strobe Light BLK 32, 5j, 230Vac, Clear, Low temp
BLK32/5J/X/RL/230VAC/LT	F22421202	Strobe Light BLK 32, 5j, 230Vac, Red, Low temp
BLK32/5J/X/AL/230VAC/LT	F22421203	Strobe Light BLK 32, 5j, 230Vac, Amber, Low temp

BLK LED

The BLK LED is a durable signalling beacon with a tough seawater proof aluminium Base and polycarbonate lens optimised for wall mounting. The range of six operating modes ensures that a distinct visual signal can be chosen for any application where ambient noise would reduce the effectiveness of audible alarms.



Technical specification

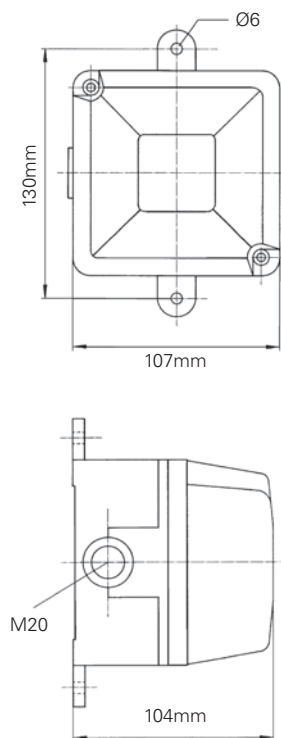
Voltage	24Vdc 230Vac
Current	160mA @ 24Vdc 12mA @ 230Vac
Flash rate	Steady flashing blinking (5 Settings)
Flash colour	Red, amber, green, blue
Temperature	-30°C to +50°C
Protection	IP65
Construction	Lens - polycarbonate base - seawater proof coated aluminium
Weight	0.7Kg
Colours	Base - light grey

Features

- 5 modes
- LED light source
- IP65 protection
- Salt water resistant aluminium and polycarbonate housing

Benefits

- Provides distinct signals to differentiate between alarm conditions
- Long life, low maintenance light source
- Suitable for internal or external use
- Suitable for use in the harshest of environments



Reference	Catalogue no.	Description
BLK/L/RL/24VDC	F22161302	LED-Signal Light BLK LED, 24Vdc, Red
BLK/L/AL/24VDC	F22161303	LED-Signal Light BLK LED, 24Vdc, Amber
BLK/L/RL/230VAC	F22160702	LED-Signal Light BLK LED, 230Vac, Red
BLK/L/AL/230VAC	F22160703	LED-Signal Light BLK LED, 230Vac, Amber

BLK Super LED

The BLK Super LED is a high output durable signalling beacon with a tough seawater proof aluminium base and polycarbonate lens optimised for wall mounting. Two versions are available producing 1200lm or 2000lm. A range of three operating modes ensures that a distinct visual signal can be chosen for any application where ambient noise would reduce the effectiveness of audible alarms.



Technical specification

Voltage	24Vdc (18Vdc to 35Vdc)
	230Vac (85Vac to 264Vac)
Current	1200lm 24Vdc 900mA
	2000lm 24Vdc 1350mA
	1200lm 230Vac 150mA
	2000lm 230Vac 200mA
Flash rate	Steady, flashing, blinking (3 Settings)
Light output	1200lm or 2000lm
Flash colour	Clear, red, amber, green, blue
Temperature*	1200lm -55°C to +55°C
	2000lm -55°C to +45°C
Protection	IP65
Construction	Lens - polycarbonate base - seawater proof coated aluminium
Weight	1.4Kg
Colours	Base - light grey

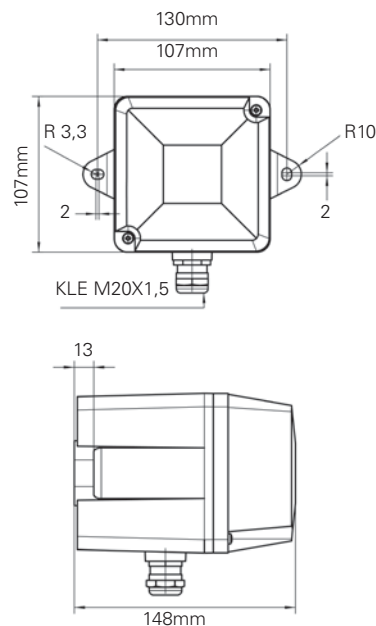
Note: (*1) 110 / 230Vac when used with a deep powered Base

Features

- High output LED wall mounting beacon
- LED light source
- IP65 protection
- Salt water resistant aluminium and polycarbonate housing

Benefits

- A highly visible beacon optimised for wall mounting applications
- Long life, low maintenance light source
- Suitable for internal or external use
- Suitable for use in the harshest of environments



Reference	Catalogue no.	Description
BLK/L/RL/24VDC/1200LM	F22163302	LED-Signal Light BLK Super LED, 24Vdc, 1200 lm, Red
BLK/L/AL/24VDC/1200LM	F22163303	LED-Signal Light BLK Super LED, 24Vdc, 1200 lm, Amber
BLK/L/RL/230VAC/1200LM	F22163702	LED-Signal Light BLK Super LED, 230Vac, 1200 lm, Red
BLK/L/AL/230VAC/1200LM	F22163703	LED-Signal Light BLK Super LED, 230Vac, 1200 lm, Amber
BLK/L/RL/230VAC/2000LM	F22164702	LED-Signal Light BLK Super LED, 230Vac, 2000 lm, Red
BLK/L/AL/230VAC/2000LM	F22164703	LED-Signal Light BLK Super LED, 230Vac, 2000 lm, Amber

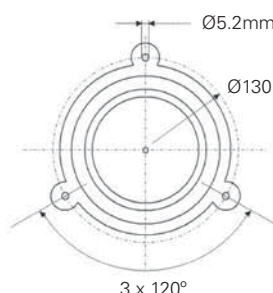
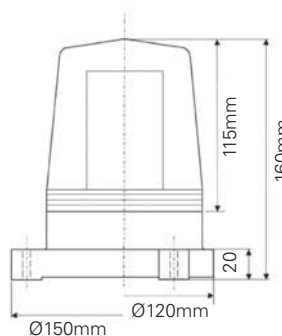
BLG 10j Xenon

The BLG 10j a general purpose beacon with an integral anti-vibration mounting base. The beacon ideal for providing visual warnings in applications where vibration may occur, such as machines, vehicles and cranes.



Technical specification

Voltage	24Vac/dc (20Vac to 75Vac) (10Vdc to 100Vdc) 230Vac
Current	50 to 160mA @ 10 to 100Vdc 100 to 160mA @ 20 to 75Vac 80mA @230Vac
Flash rate	1Hz
Flash power	10j
Flash colour	Red, amber, green, blue
Temperature	-20°C to +50°C
Protection	IP67
Construction	Lens - polycarbonate base - TPF rubber
Weight	0.45Kg
Colours	Base - black



Features

- 10j xenon beacon
- Anti-vibration base
- IP67 protection
- 5 lens colours

Benefits

- A high visibility beacon
- Base protects the beacon from vibration, extending operational life and reducing maintenance
- Protected against extreme weather conditions
- Signal colour to suit all events

Reference	Catalogue no.	Description
BLG10/10J/X/RL/20-75VAC/10-100VDC	F22461302	Strobe Light BLG 10j, 20-75Vac/10-100Vdc, Red, Anti-Vibration
BLG10/10J/X/AL/20-75VAC/10-100VDC	F22461303	Strobe Light BLG 10j, 20-75Vac /10-100Vdc, Amber, Anti-Vibration
BLG10/10J/X/BL/20-75VAC/10-100VDC	F22461305	Strobe Light BLG 10j, 20-75Vac/10-100Vdc, Blue, Anti-Vibration
BLG10/10J/X/CL/230VAC	F22460701	Strobe Light BLG 10j, 230Vac, Clear, Anti-Vibration
BLG10/10J/X/RL/230VAC	F22460702	Strobe Light BLG 10j, 230Vac, Red, Anti-Vibration
BLG10/10J/X/AL/230VAC	F22460703	Strobe Light BLG 10j, 230Vac, Amber, Anti-Vibration

BLG LED Multifunction

The BLG LED is a versatile beacon with an integral anti-vibration mounting base and four flash patterns. The beacon is ideal for providing visual warnings in applications where vibration may occur, such as machines, vehicles and cranes.



Technical specification

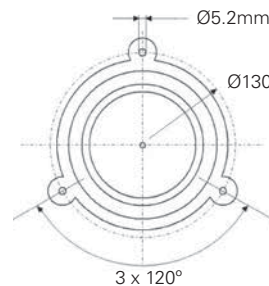
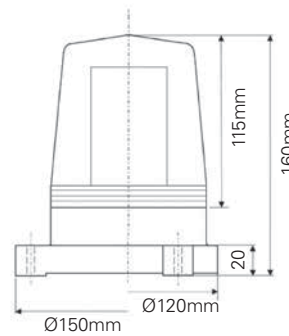
Voltage	24Vdc 230Vac
Current	600mA @ 24Vdc 70mA @ 230Vac
Flash rate	Rotate, Flash, Blink, Steady
Flash colour	Red, amber, green, blue
Temperature	-40°C to +50°C
Protection	IP67
Construction	Lens - polycarbonate base - TPF rubber
Weight	0.45Kg
Colours	Base - black

Features

- LED beacon with 4 operational modes
- Anti-vibration base
- IP67 protection
- 5 lens colours

Benefits

- Provides a distinct signal for all types of events
- Base protects the beacon from vibration, extending operational life and reducing maintenance
- Protected against extreme weather conditions
- Signal colour to suit all events

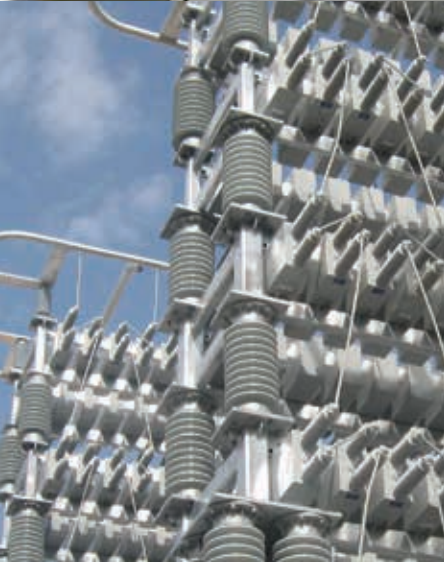


Reference	Catalogue no.	Description
BLG/L/CL/12-24/VAC/DC	F22151301	LED-Signal Light BLG LED, 12/24Vac/dc, Clear, Anti-Vibration
BLG/L/RL/12-24/VAC/DC	F22151302	LED-Signal Light BLG LED, 12/24Vac/dc, Red, Anti-Vibration
BLG/L/AL/12-24/VAC/DC	F22151303	LED-Signal Light BLG LED, 12/24Vac/dc, Amber, Anti-Vibration
BLG/L/CL/230VAC	F22150701	LED-Signal Light BLG LED, 230Vac, Clear, Anti-Vibration
BLG/L/RL/230VAC	F22150702	LED-Signal Light BLG LED, 230Vac, Red, Anti-Vibration
BLG/L/AL/230VAC	F22150703	LED-Signal Light BLG LED, 230Vac, Amber, Anti-Vibration

Signalling

A versatile and customisable range that provides ultimate flexibility, can be configured to suit many status warning applications. Two different product families are available covering both visual or audible-visual options. Both are easy to assemble and install.





Description	Page
Signalling	
Combi signalling unit	43
Signal tower SL7 & SL4	44
Signal towers SL7 and SL4	45
Alpha 1 and Alpha 3 Obstruction Lights	46

Combi signalling unit - status indicator

The Combi signalling units provide an extremely flexible system for the assembly of audible and visual signals that may be used in applications where different levels of warning or status need to be communicated.



Technical specification

The foundation of the system is the deep base pre-assembled into linear units of 2, 3 or 4 pieces. Into the assemblies the user can fit audible and visual warnings chosen from the standard ranges of Eaton RoLP sounders, Solex xenon beacons and Solista Maxi LED beacons.

The RoLP and RoLP Maxi allow the user to choose from 32 alarm tones and outputs in excess of 107dB(A). The Solex xenon beacons are available with three levels of light output and in five colours, the Solista Maxi beacons again offer five colours and additionally three user selectable modes of operation; steady, single flash, and double flash. LED beacons also are inherently robust and have extremely long operating lifetimes important where access for maintenance may be limited.

Supply voltages from 9 to 60Vdc and 110 to 230Vac are available. Please see data sheets of the particular devices for full specification.

Features

- Traffic light style indicator
- 2, 3 or 4 way assemblies
- Uses standard Fulleon sounders and beacons
- IP65 protection

Benefits

- Flexible configurations to suit many status warning applications
- Can be assembled to give any combination of four audible and visual signals
- Quick and easy to configure
- Can be used internally or externally



Combi bases		
White	○ ○	2W White
Red	● ●	2W Red
White	○ ○ ○	3W White
Red	● ● ●	3W Red
White	○ ○ ○ ○	4W White
Red	● ● ● ●	4W Red



AC combi mains module

Reference	Catalogue no.	Description
593004FULL-0034	CB/2/R RED	Combi Double, Deep Base, Red
593008FULL-0321	CB/3/R RED	Combi Triple, Deep Base, Red
593009FULL-0322	CB/4/R	Combi Quad, Deep Base, Red
593010FULL-0323	CB/2/W	Combi Double, Deep Base, White
593011FULL-0324	CB/3/W	Combi Triple, Deep Base, White
593012FULL-0325	CB/4/W	Combi Quad, Deep Base, White

3

Signal towers SL7 and SL4

The new SL7 and SL4 signal towers are built around a modular design and cutting-edge LED technology, guaranteeing visibility even in the toughest lighting conditions. The clean and elegant design of the individual elements lends the SL7 and SL4 an unmistakable high-quality appearance.

The variety of mount options give the signal towers adaptability for all types of application.



Technical specification

Voltage	24 Vdc , 24 Vac, 110-120 Vac, 230-240 Vac
Signal elements	Max of 5 with standard Base Max of 10 with Base mounting both sides
Flash	Flash, steady
Sounder	Continues or pulse
Temperature	-30°C to +60°C
Protection	IP66, IEC / EN 60945-5-1 IEC/EN 60529, UL Type 4, 4X,13
Construction	Polycarbonate (PC)
Weight	0.8 Kg - 1.02 kg
Lens Colour	Red, yellow, amber, green, blue, clear

Features

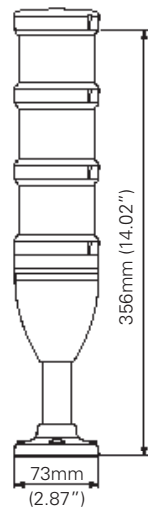
- High-performance LEDs for increased perceptibility
- Sounder module up to 100 dB with up to 8 different signals and adjustable volume levels

Benefits

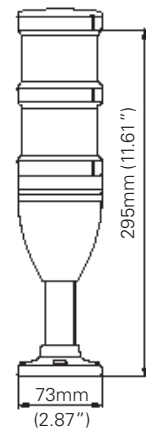
- High-performance LEDs ensure high recognition levels even in very bright environments
- Adaptable sounders for a faster response time in the event of failure or maintenance



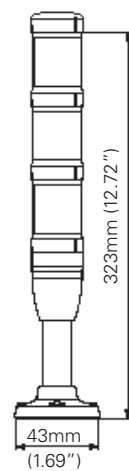
SL7-100-L-RYG-24 LED



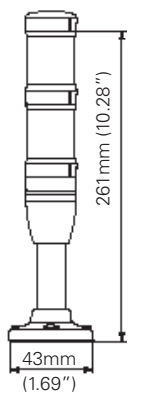
SL7-100-L-RG-24 LED



SL4-100-L-RYG-24 LED



SL4-100-L-RG-24 LED

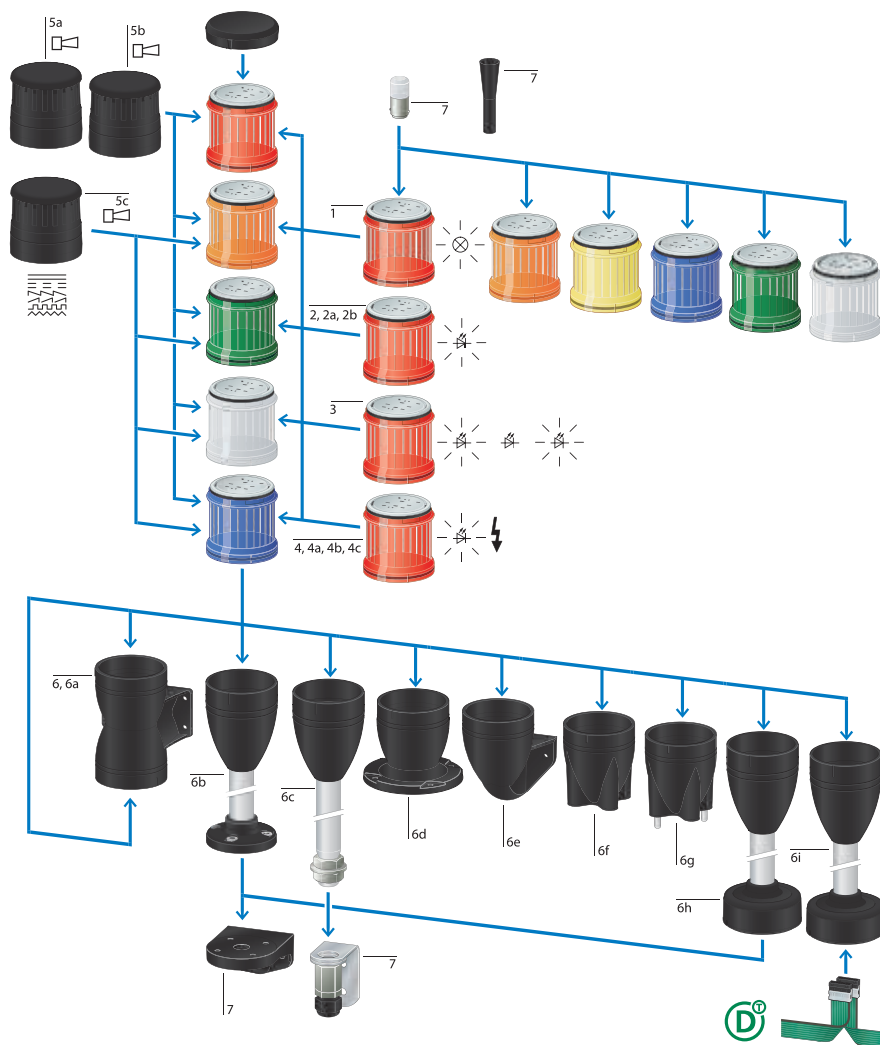


Reference	Catalogue no.	Description
E171424	SL7-100-L-RG-24LED	SL7 LED Signal Tower, 2 Light Elements, Red, Green, Continuous, 70mm Dia, 24VDC, 24VAC
E171425	SL7-100-L-RYG-24LED	SL7 LED Signal Tower, 3 Light Elements, Red, Yellow, Green, Continuous 70mm Dia, 24VDC, 24VAC
E171295	SL4-100-L-RG-24LED	SL4 LED Signal Tower, 2 Light Elements, Green, Red, Continuous, 40mm Dia, 24VDC, 24VAC
E171296	SL4-100-L-RYG-24LED	SL4 LED Signal Tower, 3 Light Elements, Red, Yellow, Green, Continuous, 40mm Dia, 24VDC, 24VAC

Signal towers SL7 and SL4

New assembly system decreases mounting and dismantling by up to 50%.

System overview



The transportation cover protects cables and terminals.

Features

- Compact and pre-assembles units
- Fast mounting system
- Transportation cover

Benefits

- Increase the flexibility and reduces stock keeping
- Easy to dismantle in one easy motion and without the need for tools. The base and wiring remaining on the machine which removes the risk of error in reconnection
- Protects against transport damage

3

Alpha 1 and Alpha 3 obstruction lights

The Alpha Obstruction lights are designed to ICAO (International Civil Aviation Organisation) requirements, characteristics of obstacle lights, low intensity, based on the BLG anti-vibration mounting housing, the Alpha units contain eight strips of 12 LEDs to provide an even 360° horizontal visibility.

The Alpha 3 differs only in that it is supplied with a right angle mounting bracket and junction box to simplify installation.



Technical specification

Voltage	24Vdc 230Vac
Current	800mA @24Vdc 70mA @ 230Vac
Flash rate	Steady
Colour	Red
Temperature	-20°C to +50°C
Protection	IP65
Construction	Lens - polycarbonate Base - TPF rubber
Weight	Alpha 1 - 0.45Kg Alpha 3 - 2.2Kg
Colours	Base and bracket* - black

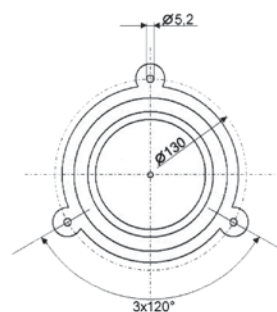
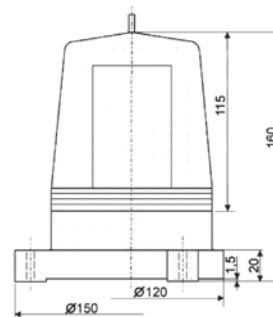
Note: * Bracket available with the Alpha 3 model only

Features

- Wide input voltage
- Many compatible products
- Red or white finish
- Surface fixing or conduct box mounting

Benefits

- Suits most AC mains supply without adjustment
- Provides 24V products with extra flexibility
- Matches product finish
- Compatible with most wiring systems



Reference	Catalogue no.	Description
OL/A1/LED/RL/RED/24VDC	F22311302	Obstacle Light Skyline Alpha 1, 24Vdc, Red Lens
OL/A1/LED/RL/RED/115-230VAC	F22310702	Obstacle Light Skyline Alpha 1, 115/230Vac, Red Lens
OL/A3/LED/RL/RED/115/230VAC BRKT+JB	F223307020	Obstacle Light Skyline Alpha 3, 115/230Vac, Red Lens, Mount Bracket + add Connect Box

Bells

Bells are the oldest of alarm warnings and are still the signal of choice for some applications. With a robust, corrosion proof metal construction, the steel gongs provides a clear harmonic rich signal that can be clearly distinguished above ambient noise. Available in three styles, two sizes and a variety of voltages, they have outputs between 93 and 110dB(A).





Description	Page
Bells	
CF Motorised bell.	49
FB bell	50
AW Signalling bell.	51

CF Motorised

Bells still remain a popular choice for many applications. All CF bells incorporate highly efficient rotary centrifugal movements combining high sound output with low current consumption.



Technical specification

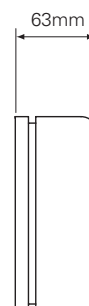
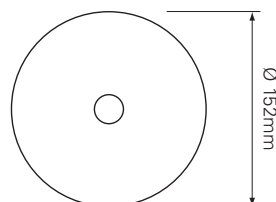
Voltage	20 - 28Vdc
Current	25mA
Sound output	95dB(A)
Monitoring	Reverse polarity
Temperature	- 10°C to + 55°C
Protection	IP21C
Construction	Gong -steel, Base -polycarbonate
Weight	0.85Kg
Colours	Gong - red
	Base - black

Features

- High “ring” output
- Classic design
- Multi-fixing base
- For fire or non fire use

Benefits

- Clear and easily identified signal
- Familiar format
- Easy to install
- Flexible usage with many applications



Reference	Catalogue no.	Description
CFB6D24 RED	521601FULL-1601	6 Inch Motorised Bell, 24Vdc, Red

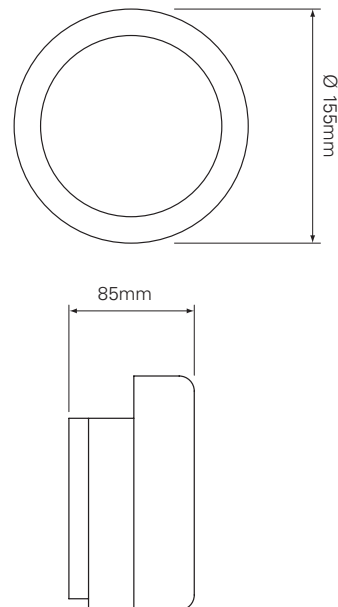
FB Bell - electronic solenoid

A unique, patented alarm bell designed for use in fire, security and other signalling systems. The combination of a miniature solenoid with an integrated control circuit allows excellent sound coverage, minimum current consumption and increased reliability. The improved aesthetics make the bell suitable for all applications including the most prestigious locations.



Technical specification

Voltage	12Vdc 24Vdc 230Vac
Current	12 Vdc 55 - 65mA
	24 Vdc 25 - 35mA
	230 Vac 20 - 30mA
Sound output	93 - 95dB(A)
Monitoring	Reverse polarity (dc only)
Temperature	- 25°C to + 70°C
Protection	IP21C / IP33C (WP)
Construction	Gong - steel, Base - polycarbonate
Weight	12 Volt 1.1Kg
	24 Volt 1.1Kg
	230 Volt 1.2Kg
Colours	Gong - red, Base - black



Features

- Modern design
- Clip together assembly
- Weatherproof kit option
- High "ring" output

Benefits

- Suitable for all locations
- Easy to fit
- Provides protection up to IP33C for external use
- Easily identified signal

Reference	Catalogue no.	Description
FB/12 RED	500001FULL-0001	Electronic Solenoid Bell, 12Vdc, Red
FB/230/RED	504001FULL-4001	Electronic Solenoid Bell, 230Vac, Red
FB/12/RED/WP	500003FULL-0003	Weatherproof Electronic Solenoid Bell, 12Vdc, Red
FB/24/RED/WP (CPD Certified)	506001FULL-6001	Weatherproof Electronic Solenoid Bell, 24Vdc, Red
FB/230/RED/WP	508001FULL-8001	Weatherproof Electronic Solenoid Bell, 230Vac, Red

AW Signalling bell

Industrial signalling bells with either 150mm (6") or 250mm (10") steel gongs, providing clear harmonic rich signals that can be clearly distinguished above ambient noise.



Technical specification

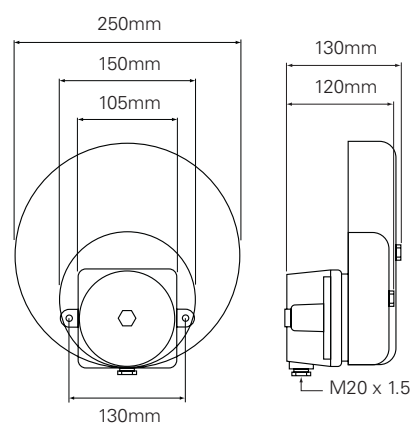
Voltage	24Vdc 230Vac
Current	350mA @ 24V 60mA @ 230Vac
Gong size	150mm dia (6") 250mm dia (8")
Sound output	100dB(A) @ 1m (150mm) 110dB(A) @ 1m (250mm)
Temperature	-20°C to +60°C
Protection	IP55
Construction	Gong -steel, Base - corrosion resistant aluminium
Weight	1.45Kg - 150mm gong 2.95Kg - 250mm gong
Colours	Base & gong - grey RAL 7032

Features

- 150mm or 250mm gong
- 100 to 110dB(A) output
- IP55 protection
- AC or DC versions

Benefits

- Gong size provides different frequencies to stand out from ambient noise
- High output for industrial applications
- Internal or external use
- Versions to suit most common industrial supplies



Reference	Catalogue no.	Description
AWB/150/GR/24VDC	21162113	Signalling Bell AW 2, 24Vdc, 150 FS
AWB/150/GR/230VAC	21162107	Signalling Bell AW 1, 230Vac, 150 FS
AWB/250/GR/24VDC	21162313	Signalling Bell AW 2, 24Vdc, 250 FS
AWB/250/GR/230VAC	21162307	Signalling Bell AW 1, 230Vac, 250 FS



Hazardous areas

Many industries have areas in which processes can, from time to time, create potentially explosive atmospheres. In such areas specialist equipment is required to ensure the safety of people and plant. Eaton offers a range of ATEX compliant products including audible and visual alarms, as well as call points that allow for either intrinsically safe (IS) or flameproof installations. Both IS and flameproof installations must be undertaken by specialists to ensure that the equipment operates safely.





Description	Page
Hazardous areas	
BG2 Explosion-proof manual call point	55
DB3B Explosion-proof sounder	56
DWG21 Signalling bell	57
LD15 range high intensity LED beacon	58
XB15 range 5, 10 & 15 joule xenon beacons	59
BDK 22 5j beacon.	60
BG3 Manual call point	61
DB5 Intrinsically safe sounder	62
DB7 Intrinsically safe sounder	63
Barriers and Isolators - intrinsically safe	64

BG2 - Explosion-proof manual call point

This manual call point has a corrosion resistant GRP body suiting it to the harsh hazardous environments found in both offshore and exposed onshore industrial environments.



ATEX

Technical specification

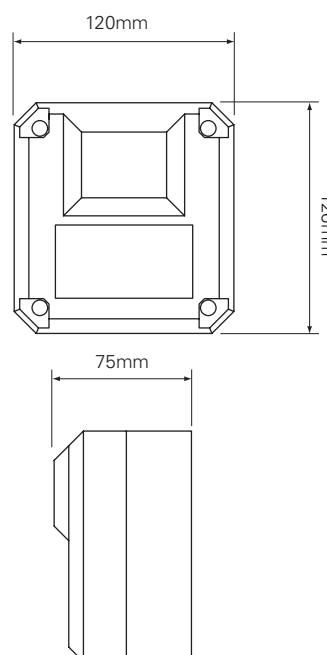
Voltage	Up to 250Vac 5A (switch only) Up to 24Vdc (resistor + switch) (Fire use)
Current	5A (switch only)
Temperature	- 20°C to +50°C
Protection	IP66 / 67
Construction	UV stabilised GRP
Weight	1.2Kg
Colour	Red

Features

- Exed, weatherproof Zone 1 and Zone 2 use
- IP66/67 protection
- Corrosion resistant
- -20°C to +50°C operating temperature range

Benefits

- Suitable for explosion protected applications
- Internal or exposed external applications
- Low maintenance
- Can be used in a wide range of harsh environments



Reference	Catalogue no.	Description
BG2EDC1NR	PX800004	BG2 Call Point, EExed, Switch Only, No Flap, Painted Red
BG2EDC3NR 470 671006FULL	PX206166	BG2 Call Point, EExed, 470R Series Resistor, No Flap, Painted Red

DB3B sounders range up to 122dB

The DB3B is a high power explosion proof sounder, introduced as a replacement for the current DB3 with improved functionality and performance. Certified for use in a wide range of temperatures from -55°C to +70°C the Ex enclosure is manufactured from GRP with a rugged thermoplastic flare providing a corrosion free and aesthetically pleasing product. Capable of producing 122dB @ 1m and with a range of pre-recorded tones, the DB3B includes an integral volume control which is ideal when a lower output is required. The unit is provided with versatile control options allowing compatibility with a wide range of control methods and PLCs.



Technical specification

Material	Ex enclosure - flame retardant, UV stable, glass reinforced polyester Flare - flame retardant, high impact, UV stable, thermoplastic polyester (UV stability tested to ISO 4892 part 3) Hardware - bracket, fixings and captive cover screws in 316 stainless steel
Fire retardancy	Body - glass reinforced polyester. V0 flammability rating Outer flare - thermoplastic polyester. V0 flammability rating
Finish	Body - natural black. Flare - natural black, natural red or painted as specified (black short flare painted black)
Voltage	DC: 12 - 48V AC: Up to 254V. If using an EOL resistor with a value between 700Ω and 2KΩ the maximum voltage must be limited to 28.8Vdc, if using an EOL resistor with a value between 470Ω and 700Ω the maximum voltage should be limited to 26Vdc
Weight	Ex d/UL - 4.6kg, Ex de - 5.4kg. Based on long flare DC unit
Ingress protection	IP66 & IP67, NEMA 4X & 6. (IPx7 & NEMA 6 on terminal chamber only)
Earth Continuity	Optional for Ex de version. Not available on Ex d unit
Entries	Up to 2 x M20 or 1/2" NPT. Blanking plug available
Terminals	AC: 7 x 2.5mm ² (4 for loop in/out power, 3 for tone selection) (standard unit only) DC: 8 x 2.5mm ² (8 for loop in/ out power and tone selection) (standard unit only)
Mounting arrangement	Stainless steel bracket with ratchet facility, optional swivel bracket available
Labels	Optional duty and tag labels available
Tone information	28 tones per stage. Additional custom tones available (contact MEDC) Suitable for use with 200Hz tones

Features

- Flare - high impact thermoplastic polyester
- Stainless Steel mounting bracket and cover screws
- Mounting bracket has ratchet facility as standard
- Optional swivel bracket available

Benefits

- Integral volume control
- 28 tones, user selectable
- 3 stage unit remotely switchable
- Tones can be programmed to customer's specification
- DC supply voltage between 12V and 48V

Reference	Catalogue no.	Description
DB3BEGD048N2BNN	PX41900427	DB3B explosion proof sounder

dGW21 Ex signalling bell

With a GRP housing the dGW21 signalling bell is suitable for use in Zones 1, 2, 21, 22. The GRP housing provides weather resistance to IP66 and can be wall or ceiling mounted using the supplied adjustable mounting bracket.



ATEX GOST

Technical specification

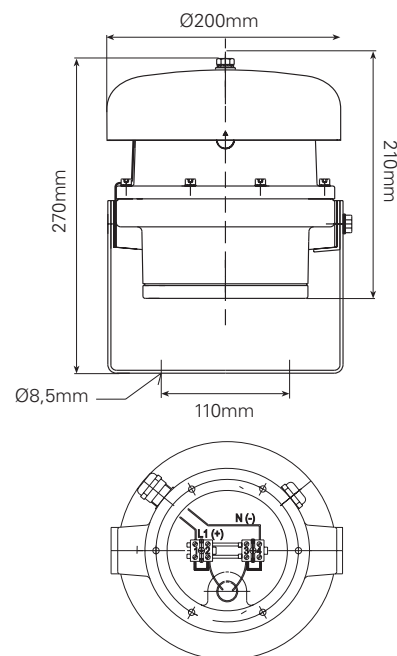
Voltage	24Vdc 230Vac
Current	350mA @ 24V 55mA @ 230Vac 50Hz
Gong size	200mm dia (7.9")
Sound output	105dB(A) @ 1m
Temperature	-20°C to +40°C
Protection	IP66
Construction	Gong -steel, Base - glass reinforced polyester
Weight	3.5Kg
Colours	Base - black, Gong - grey

Features

- Ex de, zone 1 and zone 2 use in the features
- Output up to 105dB(A)
- GRP housing
- IP66 protection

Benefits

- Suitable for explosion protected applications
- Suitable for use in high ambient noise levels
- Corrosion free low maintenance construction
- Internal or exposed external use



Reference	Catalogue no.	Description
HWB/200/GG/BB/24VDC	FHF91024210	Ex Signalling Bell dWG21 ATEX 200mm, Grey Gong, Black Body, 24Vdc
HWB/200/GG/BB/230VAC	FHF91230110	Ex Signalling Bell dWG21 ATEX 200mm, Grey Gong, Black Body, 230Vac

LD15 range high intensity LED beacon

These certified LED strobes have been designed for use in potentially explosive atmospheres and harsh environmental conditions. The enclosures are suitable for use offshore or onshore where light weight combined with corrosion resistance is required. The housings are manufactured completely from a UV stable glass reinforced polyester. Stainless steel screws and mounting bracket are incorporated ensuring a totally corrosion free product. The LD15 incorporates a low maintenance, innovative LED array, which has a life of up to 54,000 hours. The low current consumption design allows an energy efficient solution without compromising light output. Units can be painted to customers specification and supplied with identification labels.



Technical specification

Materia	Body: glass reinforced polyester Lens: borosilicate glass Backstrap: stainless steel 316 Wire guard (optional): stainless steel wire Cast guard (optional): aluminium LM25M
Finish	Natural black or painted to customer specification
Voltage	12V d.c. to 48V d.c, 110V a.c. to 254V a.c (UL DC only)
LED life	Up to 54,000 hours
Function	Steady, 60, 80 & 120 fpm, double flash
Certified temp	-55°C to +70°C (T5) -55°C to +55°C (T6)
Weight	Pipe mount: 3.1kg Direct mount: 3.5kg
Ingress protection	IP66 & IP67
Entries	ATEX version: Standard: 2 x M20 Optional: 1 x M20/M25, 3 x M20/M25 entries UL version: Standard pipe: 3/4" NPT Standard direct: 2 x 3/4" NPT Dual UL/ATEX, UL/IECEX: Optional direct: 1 x 1/2"/3/4" NPT or 3 x 1/2"/3/4" NPT Standard direct: 2 x 3/4" NPT
Terminals	Direct mount: 12 x 2.5mm ² /14AWG Pipe mount: 8 x 14AWG
Labels	Tag/duty optional

Features

- Corrosion-free GRP
- Optional stainless steel backstrap
- Various lens colours
- Optional cast aluminium or wire stainless steel guard

Benefits

- Zone 1, 2, 21 & 22
- Ex d IIC T6/T5
- ATEX Certified Ex II 2GD
- IECEx Certified Gb, Db
- UL certified for USA and Canada

XB15 range 5, 10 & 15 joule xenon beacons

These certified beacons have been designed for use in potentially explosive atmospheres and harsh environmental conditions. The enclosures are suitable for use offshore or onshore, where light weight combined with corrosion resistance is required. The housings are manufactured completely from a UV stable, glass reinforced polyester. Stainless steel screws and mounting bracket are incorporated ensuring a totally corrosion-free product.



Technical specification

Material	Body: glass reinforced polyester Lens: borosilicate glass Backstrap: stainless steel 316 Wire guard (optional): Stainless steel wire Cast guard (optional): Aluminium LM25M
Finish	Natural black or painted to customer specification
Models	XB15 ATEX – available in direct mount version only XB15 UL – available in pipe and direct mount versions
Voltage	24, 48V d.c. - 110, 120, 230, 240, 254V a.c
Tube energy	5,10 & 15 Joule (UL AC 15J only)
Tube life	>1 x 106 flashes
Flash rate	60, 80, 120 fpm
Certified temp	15J: -55°C to +70°C (T4), -55°C to +40°C (T5) 10J: -55°C to +70°C (T4), -55°C to +55°C (T5), -55°C to +40°C (T6) 5J: -55°C to +70°C (T5), -55°C to +55°C (T6)
Weight	Pipe mount: 2.6kg; Direct mount: 3.0kg
Ingress protection	IP66 & IP67
Entries	ATEX version: Standard: 2 x M20 Optional: 1 x M20/M25, 3 x M20/M25 UL version: Standard pipe: ¾" NPT Standard direct: 2 x ¾" NPT Dual UL/ATEX, UL/IECEx: Optional direct: 1 x ½"/¾" NPT or 3 x ½"/¾" NPT Standard direct: 2 x ¾" NPT
Terminals	Direct mount: 12 x 2.5mm ² /14AWG. Pipe mount: 8 x 14AWG
Relay initiate	Operates with 24V d.c. initiate supplies only
Telephone initiate	Operates from telephone ringing voltage
Labels	Tag/duty label optional

Features

- Up to 3 x M20 or 3 x M25 entries
- LED version available (see data sheet for LD15)
- Improved inrush current characteristics
- Consistent extreme temperature start-up

Benefits

- CCOE certified
- IP66 & 67
- EN54-23 certified
- SIL 1 certified
- Certified temperature from -55°C to +70°C

BDK 22 5j beacon

A 5j beacon approved for use in Zone 22 dust environments. Giving clear signals the IP54 rating allow for both internal and external use.



ATEX

Technical specification

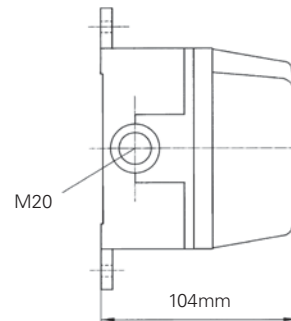
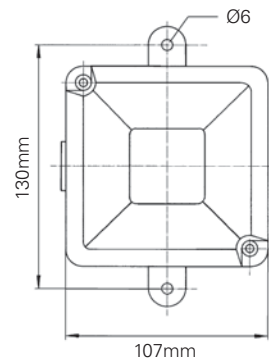
Voltage	24Vdc 230Vac
Current	300mA @ 24V 70mA@ 230Vac (50Hz)
Flash rate	1Hz
Flash power	5j
Flash colour	Red, amber
Temperature	-20°C to +50°C
Protection	IP54
Construction	Lens - polycarbonate, Base - seawater proof coated aluminium
Weight	0.7Kg
Colours	Base - grey

Features

- For use in Zone 22 areas
- 5j flash
- IP54 protection
- Corrosion resistant

Benefits

- Specially approved for use in hazardous dust environments
- Bright beacon for general signalling
- Can be used internally or externally
- Low maintenance



Reference	Catalogue no.	Description
BDK22/5J/X/RL/24VDC	FHF22481402	ExII-Zone 22 Strobe Light BDK22, 24Vdc, Aluminium Cast Housing, Red Lens
BDK22/5J/X/RL/230VAC	FHF22471202	ExII-Zone 22 Strobe Light BDK22, 230Vac, Aluminium Cast Housing, Red Lens
BDK 22/5J/X/RL/230VAC	FHF22471203	ExII-Zone 22 Strobe Light BDK22, 230Vac, Aluminium Cast Housing, Amber Lens

BG3 - Intrinsically safe manual call point

This manual call point has a corrosion resistant GRP body suiting it to the harsh hazardous environments found in both offshore and exposed onshore industrial environments.



ATEX

Technical specification

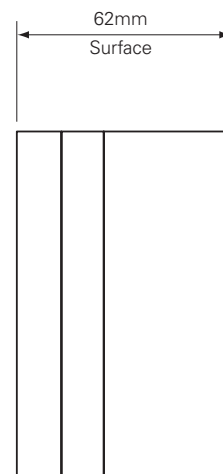
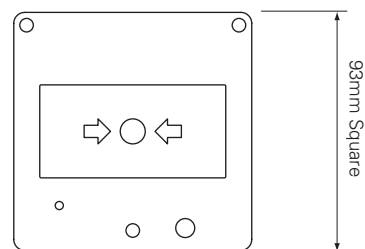
Voltage	Up to 28Vdc (via a suitable barrier)
Resistor	470R
Temperature	- 55°C to + 55°C
Protection	IP66 / 67
Construction	UV GRP
Weight	0.5Kg
Colour	Red

Features

- Ex ia Zone 0, Zone 1 and Zone 2 use
- IP66/67 protection
- Corrosion resistant
- -55°C to +55°C operating temperature range

Benefits

- Suitable for intrinsically safe applications where Zone 0, 1 or 2 conditions exist.
- Internal or exposed external applications
- Low maintenance
- Can be used in harsh environments with extremes of temperatures



Reference	Catalogue no.	Description
BG3I1NBB	PX23300125	Contact customer services for more information
BG3I1NBR	PX800007	BG3 Call Point, ATEX ExII 1G EExia T4 Zone 0/1/2 , Switch Only, 2x20mm Entries, Red Finish, "Burning House" Label
BG3I4NBR FULL	PX23300109	BG3 Call Point, ATEX ExII 1G, EExia, T4, Zone 0/1/2, Switch Only, 2x20mm Entries, Blue Finish, Glass with "Dot and Arrows" Label

5

DB5 - Intrinsically safe sounder

A compact lightweight alarm sounder for use with intrinsically safe circuits. The DB5 has been designed for maximum acoustic efficiency and low current consumption.

As the product is intrinsically safe it must be used with an appropriate barrier or isolator.



Technical specification

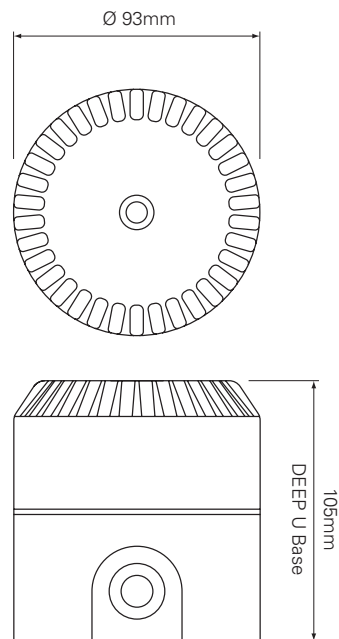
Voltage	24Vdc (nominal via suitable barrier)
Current	14mA max
Sound output	100dB max (tone dependant)
Tones	26 (user selectable)
Temperature	- 20°C to + 55°C
Protection	IP65
Construction	ABS
Weight	0.3Kg
Colour	Red

Features

- Ex ia, Zone 0, Zone 1 and Zone 2 use
- 26 alarm tones
- Corrosion resistant ABS construction
- -20°C to + 50°C operating temperature range

Benefits

- Suitable for intrinsically safe applications where zone 0, 1 or 2 conditions exist.
- User can select a distinctive tone to suit local operating conditions
- Low maintenance
- Suitable for a wide range of industrial environments



Reference	Catalogue no.	Description
DB5B024NR 546001FULL	PX895002	DB5 Sounder, ATEX ExII 1G, Exia T4, Zone 0/1/2, 24Vdc, Red

DB7 - Intrinsically safe sounder

A high output alarm sounder for use with intrinsically safe circuits. The DB7 has been designed for maximum acoustic efficiency and low current consumption combined with very high levels of weather resistance. A second alarm tone can be selected by reversing the supply polarity.

As the product is intrinsically safe it must be used with an appropriate barrier or isolator.



ATEX GOST

Technical specification

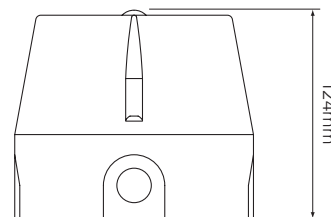
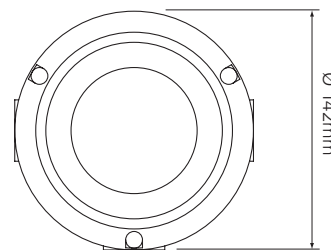
Voltage	24Vdc (nominal via suitable barrier)
Current	34mA nominal
Sound output	103dB max (tone dependant)
Tones	27 (user selectable)
Temperature	- 55°C to +70°C
Protection	IP66 / 67
Construction	UV stabilised GRP
Weight	1.0Kg
Colour	Red

Features

- Ex ia, Zone 0, Zone 1 and Zone 2 use
- 27 alarm tones
- GRP housing
- -55°C to + 70°C operating temperature range

Benefits

- Suitable for intrinsically safe applications where Zone 0, 1 or 2 conditions exist
- User can select a distinctive tone to suit local operating conditions
- Corrosion free low maintenance
- Can be used in harsh environments with extremes of temperature



Reference	Catalogue no.	Description
DB7PBB024NR	PX212814	DB7P Sounder, ATEX Ex II 1G, EExia IIB T4, Zone 0/1/2. 24Vdc, 3 x 20mm Knockouts, 27 Tones, Red Finish, IP66/67

Barriers and Isolators - intrinsically safe

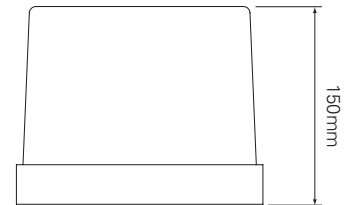
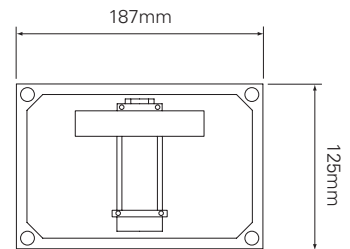
Intrinsically safe (IS) systems provide safe operation of equipment in hazardous areas by limiting the amount of electrical energy in the circuit to levels where a fault cannot cause a spark that would ignite any explosive atmosphere that could be present. For an IS system to operate correctly, both the barrier or isolator and the devices in the hazardous area must be approved and designed to work together.



ATEX

Technical specification

Barriers and Isolators both provide power limitations on an intrinsically safe circuit, but work in different ways. Barriers are the simpler, but require secure connections to a dedicated IS earth point. Isolators use more complex electronics but can operate earth-free and are more tolerant of supply voltage. Both Barriers and Isolators must be mounted in the safe area, but as close as possible to the hazardous area.



	Alarm product			
	BG3 call point	DB5 sounder	DB7 sounder	XB8 beacon
Matching galvanic Isolator		MTL5525	MTL5525	MTL5525
Number of circuits	2	1	1	1
Products per circuit	10	1	1	1
Maximum supply	35Vdc	35Vdc	35Vdc	35Vdc
Isolators per DX070 enclosure	4	4	4	4
Matching shunt barrier	MTL7787+	MTL7787+	MTL7787+	MTL7787P+
Number of circuits	1	1	1	1
Products per circuit	10	1	1	1
Maximum supply	26.8Vdc	26.8Vdc	26.8Vdc	26.8Vdc
Barriers per DX070 enclosure	5	5	5	5

Features

- Isolators and barriers
- IP65 protection
- Multiple products per enclosure
- 24Vdc operation

Benefits

- Matching range of MTL isolators and barriers to suit range of IS products
- Enclosure can be used in most safe area environments
- 4 isolators or 5 barriers can be fitted into the enclosure saving installation
- 24Vdc systems to suit standard fire system operation

Reference	Catalogue no.	Description
MTL5525	MTL5525	Isolating Interface & Housing to Suit DB5 / DB7 / XB8
MTL5561	MTL5561	Isolating Interface & Housing to Suit BG3 Call Point (2 Channel)
MTL7787+	MTL7787+	Shunt Diode Barrier & Housing to Suit BG3 / DB5 / DB7
MTL7787P+	MTL7787P+	Shunt Diode Barrier & Housing to Suit XB8
DX070	DX070	DIN Rail Enclosure for Isolators and Barriers

Accessories





Description	Page
Accessories	
Bases	67

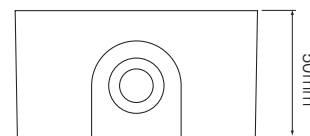
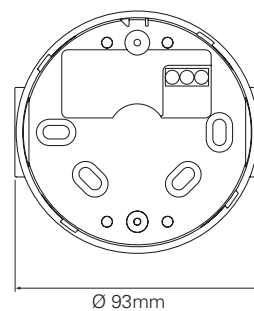
Bases

The powered deep base incorporates a small 24Vdc supply that allows any of the compatible Eaton sounders and beacons to be operated from 110 or 230Vac supplies. This allows the installer much greater flexibility in the use of products and their applications.



Technical specification

Voltage	110Vac - 230Vac (50/60Hz)
Output	100mA @ 24Vdc
Temperature	- 10°C to + 55°C
Protection	IP65
Construction	ABS
Weight	0.1Kg
Colours	Red or white
Compatible Products	RoLP, Flashni, Solex 3/10, RoLP Solista, Solista Maxi



Features

- Wide input voltage
- Many compatible products
- Red or white finish
- Surface fixing or conduct box mounting

Benefits

- Suits most AC mains supply without adjustment
- Provides 24V products with extra flexibility
- Matches product finish
- Compatible with most wiring systems

Reference	Catalogue no.	Description
U Base Red	590020FULL-0094	U Red Base + Locking Screw
Deep Base Red	593001FUL-0022	Deep Red Base + Locking Screw
Deep Base White	593002FULL-0017	Deep White Base + Locking Screw
Shallow Base Red	593005FULL-0027	Shallow Red Base + Locking Screw
Powered Deep Base Red	631201FUL-0109	Deep Base Red, with 110-230Vac to 24Vdc, Supply Mod
Powered Deep Base White	631202FUL-0117	Deep Base White, with 110-230Vac to 24Vdc, Supply Mod
Midi Angled Base Red	599031FULL-0363	Midi Angled Base, Red, Pack of 10
Midi Angled Base White	599032FULL-0364	Midi Angled Base, White, Pack of 10
Midi U Base Red	599033FULL-0365	Midi U Base, Red, Pack of 10
Midi U Base White	599034FULL-0366	Midi U Base, White, Pack of 10

Product name	Page	Product reference	Catalogue number	Description
Sounders				
Asserta Mini sounder	6	AS/N/S/9-60V/R	7061154FUL-0105	Asserta Mini Sounder, Red, 9 to 60Vdc
		AS/N/S/9-60V/G	7092269FUL-0146	Asserta Mini Sounder, Grey, 9 to 60Vdc
		AS/N/110-230/R	7063134FULL-0155	Asserta Mini Sounder, Red, 110 to 230Vac
		AS/N/SV/S/110-230V/G	7092268FUL-0145	Asserta Mini Sounder, Grey, 110 to 230Vac
		AS/M/S/115-230/G	7092267FUL-0144	Asserta Mini Sounder, Grey, 115 to 230Vac
		AS/S/115-230/G/120	7092274FUL-0151	Asserta Mini Sounder, Grey, 115 to 230Vac
Asserta Midi sounder	7	AS/M/S/9-60V/R	7041134FUL-0020X	Asserta Midi Sounder, Red, 9 to 60Vdc
		AS/M/S/9-60/G	7041214FUL-0176X	Asserta Midi Sounder, Grey, 9 to 60Vdc
		AS/M/S/115/230/R	7042134FUL-0023	Asserta Midi Sounder, Red, 115Vac/230Vac
		AS/M/S/115-230/G	7092267FUL-0144	Asserta Midi Sounder, Grey, 115Vac/230Vac
		AS/M/S/24VAC/R	7044134FUL-0022	Asserta Midi Sounder, Red, 24Vac (24Vdc polarity reversal tone select)
Asserta Maxi sounder	8	AS/N/S/9-60V/R	7061154FUL-0105	Asserta Mini Sounder, Red, 9 to 60Vdc
		AS/N/S/9-60V/G	7092269FUL-0146	Asserta Mini Sounder, Grey, 9 to 60Vdc
		AS/N/110-230/R	7063134FULL-0155	Asserta Mini Sounder, Red, 110 to 230Vac
		AS/N/SV/S/110-230V/G	7092268FUL-0145	Asserta Mini Sounder, Grey, 110 to 230Vac
		AS/M/S/115-230/G	7092267FUL-0144	Asserta Mini Sounder, Grey, 115 to 230Vac
		AS/S/115-230/G/120	7092274FUL-0151	Asserta Mini Sounder, Grey, 115 to 230Vac
X10 Mini Sounder	9	X10/CE/MN/R1/10-60 VAC-DC	7092345FUL-0381	X10 mini, red housing, 10-60 VAC-DC
		X10/CE/MN/R1/115/230 VAC	7092346FUL-0382	X10 mini, red housing, 115/230 VAC
		X10/CE/MN/W1/10-60 VAC-DC	7092347FUL-0383	X10 mini, white housing, 10-60 VAC-DC
		X10/CE/MN/W1/115/230 VAC	7092348FUL-0384	X10 mini, white housing, 115/230 VAC
		X10/CE/MN/G1/10-60 VAC-DC	7092349FUL-0385	X10 mini, industrial grey housing, 10-60 VAC-DC
		X10/CE/MN/G1/115/230 VAC	7092350FUL-0386	X10 mini, industrial grey housing, 115/230 VAC
		X10/CE/MN/G2/10-60 VAC-DC	7092351FUL-0387	X10 mini, soft grey housing, 10-60 VAC-DC
		X10/CE/MN/G2/115/230 VAC	7092352FUL-0388	X10 mini, soft grey housing, 115/230 VAC
X10 Midi Sounder	10	X10/CE/MD/R1/10-60 VAC-DC	7092323FUL-0359	X10 midi, red housing, 10-60 VAC-DC
		X10/CE/MD/R1/115/230 VAC	7092324FUL-0360	X10 midi, red housing, 115/230 VAC
		X10/CE/MD/W1/10-60 VAC-DC	7092325FUL-0361	X10 midi, white housing, 10-60 VAC-DC
		X10/CE/MD/W1/115/230 VAC	7092326FUL-0362	X10 midi, white housing, 115/230 VAC
		X10/CE/MD/G1/10-60 VAC-DC	7092327FUL-0363	X10 midi, dark grey housing, 10-60 VAC-DC
		X10/CE/MD/G1/115/230 VAC	7092328FUL-0364	X10 midi, dark grey housing, 115/230 VAC
		X10/CE/MD/G2/10-60 VAC-DC	7092329FUL-0365	X10 midi, light grey housing, 10-60 VAC-DC
		X10/CE/MD/G2/115/30 VAC	7092330FUL-0366	X10 midi, light grey housing, 115/230 VAC
X10 Maxi Sounder	11	X10/CE/MA/R1/10-60 VAC-DC	7092307FUL-0343	X10 maxi, red housing, 10-60 VAC-DC
		X10/CE/MA/R1/115/230 VAC	7092308FUL-0344	X10 maxi, red housing, 115/230 VAC
		X10/CE/MA/W1/10-60 VAC-DC	7092309FUL-0345	X10 maxi, white housing, 10-60 VAC-DC
		X10/CE/MA/W1/115/230 VAC	7092310FUL-0346	X10 maxi, white housing, 115/230 VAC
		X10/CE/MA/G1/10-60 VAC-DC	7092311FUL-0347	X10 maxi, dark grey housing, 10-60 VAC-DC
		X10/CE/MA/G1/115/230 VAC	7092312FUL-0348	X10 maxi, dark grey housing, 115/230 VAC
		X10/CE/MA/G2/10-60 VAC-DC	7092313FUL-0349	X10 maxi, light grey housing, 10-60 VAC-DC
X10/CE/MA/G2/115/230 VAC	7092314FUL-0350	X10 maxi, light grey housing, 115/230 VAC		
Askari Panel	12	AP/W/S/VC	560002FULL-0072	Askari Panel Mounting Sounder, White, Tone Select Switch, Volume control
		AP/R/S VC	560013FULL-0021	Askari Panel Mounting Sounder, Red, Tone Select Switch, Volume control
		AP/SV/W/S/VC/24VAC	562002FULL-0076	Askari Panel, 24V, White Base, Switch, Volume control
Askari Flange	13	AF/R/S/VC	570033FULL-0058	Askari Flange mounting Sounder, Red, Tone Select Switch, Volume control
		AF/W/S/VC	570011FULL-0054	Askari Flange mounting Sounder, White, Tone Select Switch, Volume control
RoLP	11	ROLP/SV/R/S	540501FULL-0389X	RoLP, Shallow Base, Red
		ROLP/SV/W/S	540502FULL-0406X	RoLP, Shallow Base, White
		ROLP/SV/R/D	540503FULL-0403X	RoLP, Deep Base, Red
		ROLP/SV/W/D	540504FULL-0410X	RoLP, Deep Base, White
		ROLP/SV/R/U	540505FULL-0390X	RoLP, U - Base, Red
		ROLP/SV/W/U	540506FULL-0441	RoLP, U - Base, White
		ROLP/SV/R/D + MAINS MODULE	547026FULL-0810	RoLP, Deep Base, Red + mains module
		ROLP/SV/W/D + MAINS MODULE	547027FULL-0811	RoLP, White Deep Base + Mains Module
		AV/W ROLP/SV/R SO/R/RL/10C + MAINS MOD	539993FULL-1046	RoLP Combi, Mains, Red Base, Red Lens
		AV/W ROLP/SV/R SO/R/AL/10C + MAINS MOD	539994FULL-1047	RoLP Combi, Mains, Red Base, Amber Lens
AV/ROLP/SV/W SO/W/AL/10C	539995FULL-1083	RoLP Combi, White Base, Amber Lens		

Product name	Page	Product reference	Catalogue number	Description
Sounders & beacons				
Asserta Maxi sounder beacon	14	AS/SB/24/120/R/RL	7021121FUL-0004X	Asserta Sounder/Beacon, 24Vdc, Red, 120dB, Red Lens
		AS/SB/24/120/R/AL	7021122FUL-0113X	Asserta Sounder/Beacon, 24Vdc, Red, 120dB, Amber Lens
		AS/SB/024/G/120/AL	7092275FUL-0152X	Asserta Sounder/Beacon, 24Vdc, Grey, 120dB, Amber Lens
		AS/SB/024/R/110/RL	7021111FUL-0003X	Asserta Sounder/Beacon, 24Vdc, Red, 110dB, Red Lens
		AS/SB/24/110/R/AL	7021112FUL-0188X	Asserta Sounder/Beacon, 24Vdc, Red 110dB, Amber Lens
		AS/SB/230/R/120/RL	7022121FUL-0006	Asserta Sounder/Beacon, 230Vac, Red 120dB Red Lens
		AS/SB/230/R/120/AL	7022122FUL-0114	Asserta Sounder/Beacon, 230Vac, Red, 120dB, Amber Lens
		AS/SB/230/G/120/AL	7092276FUL-0153	Asserta Sounder/Beacon, 230Vac, Grey 120dB Amber Lens
Asserta Mini sounder beacon	17	AS/N/SB/115-230V/R/RL	7062154FUL-0106	Asserta Mini Sounder/Beacon, 115/230Vac, Red, Red Lens
		AS/N/SB/9-60V/R/RL	7071152FUL-0117	Asserta Mini Sounder-Beacon, 9 to 60Vdc, Red, Red Lens
		ASSERTA MINI RED LENS PK 5	599004FULL-0312	Asserta Mini, Red Lens (pack of 5)
		ASSERTA MINI AMBER LENS PK 5	599005FULL-0313	Asserta Mini, Amber Lens (Pack of 5)
		ASSERTA MINI BLUE LENS PK 5	599006FULL-0314	Asserta Mini, Blue Lens (pack of 5)
		ASSERTA MINI CLEAR LENS PK 5	599022FULL-0341	Asserta Mini, Clear Lens (pack of 5)
		AS/N/SV/SB/9-60V/G/AL	7092270FUL-0147	Asserta Mini Sounder/Beacon, 9 to 60Vdc, Grey, Amber Lens
		AS/N/SB/115-230V/G/AL	7092271FUL-0148	Asserta Mini Sounder/Beacon, 115/230Vac, Grey, Amber Lens
		AS/N/SV/SB/9-60/R/AL	7092277FUL-0164	Asserta Mini Sounder/Beacon, 9 to 60Vdc, Red Base, Amber Lens
		AS/N/SB/115-230/R/AL	7092278FUL-0166	Asserta Mini Sounder/Beacon, 115/230Vac, Red, Amber Lens
		AS/N/SV/SB/9-60/G/RL	7092279FUL-0167	Asserta Mini Sounder/Beacon, 9 to 60, Grey, Red Lens
		AS/N/SB/110-230/G/BL	7092284FUL-0191	Asserta Mini Sounder/Beacon, 115/230Vac, Grey, Blue Lens
		AS/N/SB/115-230V/R/BL	7092286FUL-0193	Asserta Mini Sounder/Beacon, Mains, Red, Blue Lens
		AS/N/SV/SB/9-60/G/CL	7092288FULL-0227	Asserta Mini AV Sounder/Beacon, 9 to 60Vdc, Grey, Clear Lens
AS/N/SV/SB/9-60V/G/BL	7092289FUL-0233	Asserta Mini AV Sounder/Beacon, 9 to 60Vdc, Grey, Blue Lens		
Asserta Midi sounder beacon	18	AS/M/SB/9-60V/R/RL	7051111FUL-0128X	Asserta Midi Sounder-Beacon, 9 to 60Vdc, Red, Red lens
		AS/M/SB/9-60/G/AL	7051212FUL-0015X	Asserta Midi Sounder-Beacon, 9 to 60Vdc, Grey, Amber lens
		AS/M/SB/230/R/RL	7052111FUL-0130	Asserta Midi Sounder-Beacon, 230Vac, Red, Red Lens
		AS/M/SB/115/R/AL	7092266FUL-0142	Asserta Midi Sounder-Beacon, 115Vac, Grey, Amber Lens
		AS/M/SB/9-60/G/AL	7051212FUL-0015	Asserta Midi Sounder/Beacon, 9 to 60Vdc, Grey, Amber Lens
		AS/M/SB/9-60/R/CL FULLEON STANDARD	7052113FULL-0202X	Asserta Midi, Sounder/Beacon, 9 to 60Vdc, Red, Clear Lens
		AS/M/SB/9-60V/R/AL	7052114FULL-0143X	Asserta Midi, Sounder/Beacon, 9 to 60Vdc, Red, Amber Lens
		AS/M/SB/230/R/AL	7052212FUL-0116	Asserta Midi, Sounder/Beacon, 230Vac, Red, Amber Lens
		AS/M/SB/230/R/CL	7052213FUL-0125	Asserta Mini Sounder/Beacon, 230Vac, Red, Clear Lens
		AS/M/SB/115V/R/RL	7054111FUL-0046	Asserta Midi, Sounder/Beacon, 115Vac, Red, Red Lens
		AS/M/SB/9-60V/R/BL CPD	7092264FUL-0141X	Asserta Midi, Sounder/Beacon, 9 to 60Vdc, Red, Blue Lens
		AS/M/SB/115/G/AL	7092287FULL-0194	Asserta Midi, Sounder/Beacon, 115Vac, Grey Base, Amber Lens
		ASSERTA MIDI RED LENS PK 5	7092291FULL-0237	Asserta Midi, Red Lens (Pack of 5)
		ASSERTA MIDI BLUE LENS PK 5	7092292FULL-0238	Asserta Midi, Blue Lens (Pack of 5)
		ASSERTA MIDI CLEAR LENS PK 5	7092293FULL-0239	Asserta Midi, Clear Lens (Pack of 5)
		ASSERTA MIDI AMBER LENS PK 5	7092294FULL-0240	Asserta Midi, Amber Lens (Pack of 5)
		AS/M/SB/9-60/G/RL CPD	7092281FUL-0181X	Asserta Midi Sounder/Beacon, 9 to 60, Grey, Red Lens
		AS/M/SB/230/G/AL	7092283FUL-0186	Asserta Mini Sounder/Beacon, 230Vac, Grey, Red Lens
Asserta Maxi sounder beacon	19	AS/SB/24/120/R/RL	7021121FUL-0004X	Asserta Sounder/Beacon, 24Vdc, Red, 120dB, Red Lens
		AS/SB/24/120/R/AL	7021122FUL-0113X	Asserta Sounder/Beacon, 24Vdc, Red, 120dB, Amber Lens
		AS/SB/230/R/120/RL	7022121FUL-0006	Asserta Sounder/Beacon, 230Vac, Red, 120dB, Red Lens
		AS/SB/230/R/120/AL	7022122FUL-0114	Asserta Sounder/Beacon, 230Vac, Red, 120dB, Amber Lens
		AS/SB/230/G/120/AL	7092276FUL-0153	Asserta Sounder/Beacon, 230Vac, Grey, 120dB, Amber Lens
		AS/SB/230/R/110/RL	7022111FUL-0005	Asserta Sounder/Beacon, 230Vac, Red, 110dB, Red Lens
X10 Mini sounder beacon	20	X10/CE/MNH/R1/10-60 VAC-DC	7092353FUL-0389	X10 mini, red housing, 10-60 VAC-DC
		X10/CE/MNH/R1/115/230 VAC	7092354FUL-0390	X10 mini, red housing, 115/230 VAC
		X10/CE/MNH/W1/10-60 VAC-DC	7092355FUL-0391	X10 mini, white housing, 10-60 VAC-DC
		X10/CE/MNH/W1/115/230 VAC	7092356FUL-0392	X10 mini, white housing, 115/230 VAC
		X10/CE/MNH/G1/10-60 VAC-DC	7092357FUL-0393	X10 mini, dark grey housing, 10-60 VAC-DC
		X10/CE/MNH/G1/115/230 VAC	7092358FUL-0394	X10 mini, dark grey housing, 115/230 VAC
		X10/CE/MNH/G2/10-60 VAC-DC	7092359FUL-0395	X10 mini, light grey housing, 10-60 VAC-DC
		X10/CE/MNH/G2/115/230 VAC	7092360FUL-0396	X10 mini, light grey housing, 115/230 VAC
X10 Midi sounder beacon	21	X10/CE/MDH/R1/10-60 VAC-DC	7092331FUL-0367	X10 midi, red housing, 10-60 VAC-DC
		X10/CE/MDH/R1/115/230 VAC	7092332FUL-0368	X10 midi, red housing, 115/230 VAC
		X10/CE/MDH/W1/10-60 VAC-DC	7092333FUL-0369	X10 midi, white housing, 10-60 VAC-DC
		X10/CE/MDH/W1/115/230 VAC	7092334FUL-0370	X10 midi, white housing, 115/230 VAC
		X10/CE/MDH/G1/10-60 VAC-DC	7092335FUL-0371	X10 midi, dark grey housing, 10-60 VAC-DC

Product name	Page	Product reference	Catalogue number	Description
Sounders & beacons				
X10 Maxi sounder beacon	22	X10/CE/MDH/G1/115/230 VAC	7092336FUL-0372	X10 midi, dark grey housing, 115/230 VAC
		X10/CE/MDH/G2/10-60 VAC-DC	7092337FUL-0373	X10 midi, light grey housing, 10-60 VAC-DC
		X10/CE/MDH/G2/115/230 VAC	7092338FUL-0374	X10 midi, light grey housing, 115/230 VAC
		X10/CE/MAH/R1/10-60 VAC-DC	7092315FUL-0351	X10 maxi, red housing, 10-60 VAC-DC
		X10/CE/MAH/R1/115/230 VAC	7092316FUL-0352	X10 maxi, red housing, 115/230 VAC
		X10/CE/MAH/W1/10-60 VAC-DC	7092317FUL-0353	X10 maxi, white housing, 10-60 VAC-DC
		X10/CE/MAH/W1/115/230 VAC	7092318FUL-0354	X10 maxi, white housing, 115/230 VAC
		X10/CE/MAH/G1/10-60 VAC-DC	7092319FUL-0355	X10 maxi, dark grey housing, 10-60 VAC-DC
		X10/CE/MAH/G1/115/230 VAC	7092320FUL-0356	X10 maxi, dark grey housing, 115/230 VAC
Rolp Maxi Solista	23	ROLPX/SB/RL/R/S	8210119FULL-0001	RolP Maxi Sounder Beacon, Red LED Beacon, Red Body, Shallow Base
		ROLPX/SB/RL/R/D	8210130FULL-0002	RolP Maxi Sounder Beacon, Amber lens, White Body, Deep Base
		ROLPX/SB/RL/R/U	8210121FULL-0003	RolP Maxi Sounder Beacon, Red LED Beacon, Red Body, U Base
Solista Maxi	24	SOLX/RF/RL/R/S	811021FUL-0037	Solista Maxi, Red Flash, Red Lens, Red Body, Shallow Base
		SOLX/RF/RL/R/D	811020FUL-0036	Solista Maxi, Red Flash, Red Lens, Red Body, Deep Base
		SOLX/AF/CL/W/S	811026FUL-0043	Solista Maxi, Red Flash, Clear Lens, White Body, Shallow Base
		SOLX/AF/CL/W/D	811027FUL-0044	Solista Maxi, Red Flash, Red Lens, White Body, Deep Base
		SOLX/GF/CL/W/S	811029FUL-0046	Solista Maxi, Green Flash, Clear Lens, White Body, Shallow Base
		SOLX/GF/CL/W/D	811030FUL-0047	Solista Maxi, Green Flash, Red Lens, White Body, Deep Base
		SOLX/BF/CL/W/S	811035FUL-0052	Solista Maxi, Blue Flash, Clear Lens, White Body, Shallow Base
		SOLX/BF/CL/W/D	811036FUL-0053	Solista Maxi, Blue Flash, Red Lens, White Body, Deep Base
		SOLX/AF/CL/R/S	811042FUL-0007	Solista Maxi, Amber Flash, Clear Lens, Red Body, Shallow Base
		SOLX/GF/CL/R/S	811043FUL-0008	Solista Maxi, Green Flash, Clear Lens, Red Body, Deep Base
		SOLX/BF/CL/R/S	811045FUL-0010	Solista Maxi, Blue Flash, Clear Lens, Red Body, Deep Base
		SOLX/AF/CL/R/D + MAINS MODULE	811057FUL-0082	Solista Maxi, Amber Flash, Clear Lens, Red Body, Deep Base + Mains mod
Solex Xenon	25	SO/R/SR/3	531025FUL-0061	Solex Beacon, Red Lens, Red Shallow Base, 3Cd
		SO/R/DR/3	531025FUL-0087	Solex Beacon, Red Lens, Red Deep Base, 3Cd
		SO/A/SW/3	531026FUL-0062	Solex Beacon, Amber Lens, White Shallow Base, 3Cd
		SO/A/DW/3	531026FUL-0086	Solex Beacon, Amber Lens, White Deep Base, 3Cd
		SO/R/SR/10	531024FUL-0060	Solex Beacon, Red Lens, Red Shallow Base, 10Cd
		SO/R/DR/10	531024FUL-0088	Solex Beacon, Red Lens, Red Deep Base, 10Cd
		SO/A/SW/10	531027FUL-0063	Solex Beacon, Amber Lens, White Shallow Base, 10Cd
		SO/A/DW/10	531027FUL-0085	Solex Beacon, Amber Lens, White Deep Base, 10Cd
		SO/R/SR/15	531028FUL-0064	Solex Beacon, Red Lens, Red Shallow Base, 15Cd
		SO/R/DR/15	531028FUL-0111	Solex Beacon, Red Lens, Red Deep Base, 15Cd
		SO/A/SW/15	531029FUL-0065	Solex Beacon, Amber Lens, White Shallow Base, 15Cd
		SO/A/DW/15	531029FUL-0112	Solex Beacon, Amber Lens, White Deep Base, 15Cd
		SO/A/SW/10/AT	531044FUL-0077	Solex Beacon, Amber Lens, White Shallow Base, 10Cd Anti-tamper
		SO/R/SW/10/AT	531043FUL-0076	Solex Beacon, Red Lens, Red Shallow Base, 10Cd Anti-tamper
		SO/LENS/R PK5	590200FUL-0300	Pack of 5 Red Solex Lenses
		SO/LENS/A PK5	590201FUL-0301	Pack of 5 Amber Solex Lenses
		SO/LENS/C PK5	590202FUL-0302	Pack of 5 Clear Solex Lenses
		SO/LENS/B PK5	590203FUL-0303	Pack of 5 Blue Solex Lenses
		SO/LENS/G PK5	590204FUL-0304	Pack of 5 Green Solex Lenses
		SO/R/DR/10	531924MED-1081	Solex Beacon, Red Lens, Red Deep Base, 10Cd
		SO/R/DR/15	531028MED-1082	Solex Beacon, Red Lens, Red Deep Base, 15Cd
		SO/R/SW/10C	531024FUL-0008	Solex Xenon, Shallow Base, White Base, Red Lens, 10C
		SO/R/UR/10C	531024FUL-0083	Solex Xenon, U Base, Red Base, Red Lens, 10C
		SO/R/DR/10C + MAINS MOD	531024FUL-1049	Solex Xenon, Deep Base, Red Base, Red Lens, 10C + Mains Module
		SO/R/DW/10C NF	531024FUL-1109	Solex Xenon, Deep Base, White Base, Red Lens, 10C
		SO/R/UR/3C	531025FUL-0084	Solex Xenon, 'U' Red Base, Red Lens, 3C
		SO/R/NB/3C	531025FUL-1052	Solex Xenon, No Base, Red Base, Red Lens, 3C
		SO/A/NB/3C	531026FUL-1053	Solex Xenon, No Base, White Base, Amber Lens, 3C
		SO/A/UW/10C	531027FUL-0101	Solex Xenon, U Base, White Base, Amber Lens, 10C
		SO/A/DW/10C + MAINS MOD	531027FUL-1048	Solex Xenon, Deep Base, White Base, Amber Lens, 10C + Mains Module
		SO/R/UR/15C	531028FUL-0131	Solex Xenon, U Base, Red Base, Red Lens, 15C
		SO/R/DW/15C NF	531028FUL-1111	Solex Xenon, Deep White Base, Red Lens 15C
		SO/B/SW/10C	531034FUL-0071	Solex Xenon, Shallow Base, White Base, Blue Lens, 10C
		SO/B/DW/10C	531034FUL-0090	Solex Xenon, Deep Base, White Base, Blue Lens, 10C
		SO/G/SW/10C	531035FUL-0072	Solex Xenon, Shallow Base, White Base, Green Lens, 10C

Product name	Page	Product reference	Catalogue number	Description
Sounders & beacons				
		SO/G/DW/10C	531035FULL-0091	Solex Xenon, Deep Base, White Base, Green Lens, 10C
		SO/C/SW/15C	531036FULL-0073	Solex Xenon, Shallow Base, White Base, Clear Lens, 15C
		SO/C/DW/15C	531036FULL-0113	Solex Xenon, Deep Base, White Base, Clear Lens, 15C
		SO/G/SW/10C	531035FULL-0072	Solex Xenon, Shallow Base, White Base, Green Lens, 10C
		SO/G/DW/10C	531035FULL-0091	Solex Xenon, Deep Base, White Base, Green Lens, 10C
		SO/C/SW/15C	531036FULL-0073	Solex Xenon, Shallow Base, White Base, Clear Lens, 15C
		SO/C/DW/15C	531036FULL-0113	Solex Xenon, Deep Base, White Base, Clear Lens, 15C
Solex Xenon (continued)	26	SO/C/DW/15C NF	531036FULL-1112	Solex Xenon, Deep White Base, Clear Lens, 15C
		SO/B/SW/15C	531037FULL-0074	Solex Xenon, Shallow Base, White Base, 15C
		SO/B/DW/15C	531037FULL-0114	Solex Xenon, Deep Base, White Base, Blue Lens, 15C
		SO/B/UW/15C	531037FULL-0134	Solex Xenon, U Base, White Base, Blue Lens, 15C
		SO/G/SW/15C	531038FULL-0075	Solex Xenon, Shallow Base, White Base, Green Lens, 15C
		SO/G/DW/15C	531038FULL-0115	Solex Xenon, Deep Base, White Base, Green Lens, 15C
		SO/C/SW/3C	531039FULL-0067	Solex Xenon, Shallow Base, White Base, Clear Lens, 3C
		SO/C/DW/3C	531039FULL-0110	Solex Xenon, Deep White Base, Clear Lens, 3C
		SO/B/SW/3C	531040FULL-0068	Solex Xenon, Shallow Base, White Base, Blue Lens, 3C
		SO/B/DW/3C	531040FULL-0089	Solex Xenon, Deep Base, White Base, Blue Lens, 3C
		SO/G/SW/3C	531041FULL-0069	Solex Xenon, Shallow Base, White Base Green Lens 3C
		SO/G/DW/3C	531041FULL-0092	Solex Xenon, Deep Base, White Base, Green Lens, 3C
		SO/C/SW/10C	531042FULL-0070	Solex Beacon, Clear lens, White Shallow Base, 10C
		SO/C/DW/10C	531042FULL-0093	Solex Xenon, Deep Base, White Base, Clear Lens, 10C
		SO/C/UW/10C	531042FULL-0124	Solex Xenon U Base, White Base, Clear Lens, 10C
		SO/B/DW/10C + MAINS MOD TCM	531051FULL-1051	Solex Xenon, Deep Base, Mains, White Base, Blue Lens, 10C + mains mod
Asserta beacon	27	AS/B/230/RL	7032131FUL-0002	Asserta Beacon Stand Alone 230Vac, Red Lens
		AS/B/24/RL FULLEON STANDARD	7031131FUL-0001	Asserta Beacon, 24Vdc, Red Lens
		AS/B/24/BL	7092298FULL-0244	Asserta Beacon, 24Vdc, Blue Lens
Warning beacons	28-31	WB/XS/R/024	753352FULL-0000	Single Flash Beacon, 24Vdc, Red
		WB/XD/R/024	753452FULL-0000	Double Flash Beacon, 24Vdc, Red
		WB/XD/A/024	753412FULL-0000	Double Flash Beacon, 24Vdc, Amber
		WB/XD/R/230	753454FULL-0000	Double Flash Beacon, 230Vac, Red
		WB/RM/R/024	752152FULL-0000	Rotating Mirror Beacon, 24Vac/dc, Red
		WB/RM/A/024	752112FULL-0000	Rotating Mirror Beacon, 24Vac/dc, Amber
		WB/RM/A/230	752114FULL-0000	Rotating Mirror Beacon, 230Vac, Amber
		WB/RM/B/024	752122FULL-0000	Rotating Mirror Beacon, 24Vac/cd, Blue
		WB/L/AL/024/SPR	754712FULL-0000	LED Permanent/Blinking/Rotating 24Vdc, Amber
		WB/L/R/024/SPR	754752FULL-0000	LED Permanent/Blinking/Rotating 24Vdc, Red
EVS	32	WB/L/R/024/EVS	755001FULL-0000	LED EVS Beacon 24Vdc, Red
		WB/L/A/024/EVS	755002FULL-0000	LED EVS Beacon 24Vdc Amber
		WB/L/R/115-230/EVS	755004FULL-0000	LED EVS Beacon 115-230Vac, Red
		WB/L/A/115-230/EVS	755005FULL-0000	LED EVS Beacon 115-230Vac, Amber
Warning beacon accessories	33	WB/RX/BRACKET	750010FULL-0000	Wall Bracket for WBR & WBX Beacons
		WB/RX/GUARD	750001FULL-0000	Guard for WBR & WBX Beacons
		WBL/BRACKET	750020FULL-0000	Wall Bracket for WBL Beacons
		WBL/GUARD	750002FULL-0000	Guard for WBL Beacons

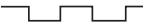
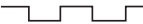


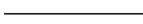
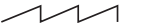
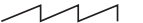











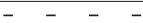
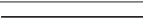


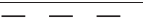

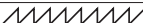







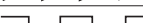
Product name	Page	Product reference	Catalogue number	Description		
Sounders & beacons						
BLK 5j	34	BLK40/5J/X/CL/15-32VDC	F22411401	Strobe Light BLK 40, 5j, 15-32 Vdc, Clear		
		BLK40/5J/X/RL/15-32VDC	F22411402	Strobe Light BLK 40, 5j, 15-32 Vdc, Red		
		BLK40/5J/X/AL/15-32VDC	22411403	Strobe Light BLK 40, 5j, 15-32Vdc, Amber		
		BLK40/5J/X/GL/15-32VDC	22411404	Strobe Light BLK 40, 5j, 15-32Vdc, Green		
		BLK40/5J/X/BL/15-32VDC	22411405	Strobe Light BLK 40, 5j, 15-32Vdc, Blue		
		BLK30/5J/X/CL/110VAC	F22411101	Strobe Light BLK 30, 5j,110Vac, Clear		
		BLK30/5J/X/RL/110VAC	F22411102	Strobe Light BLK 30, 5j, 110Vac, Red		
		BLK30/5J/X/AL/110VAC	22411103	Strobe Light BLK 30, 5j,110Vac, Amber		
		BLK30/5J/X/CL/230VAC	F22411201	Strobe Light BLK 30, 5j, 230Vac, Clear		
		BLK30/5J/X/RL/230VAC	F22411202	Strobe Light BLK 30, 5j, 230Vac, Red		
		BLK30/5J/X/AL/230VAC	22411203	Strobe Light BLK 30, 5j, 230Vac, Amber		
		BLK30/5J/X/GL/230VAC	22411204	Strobe Light BLK 30, 5j, 230Vac, Green		
BLK 15j	35	BLK60/15J/X/CL/24VDC	F22412401	Strobe Light BLK 60, 15j, 24Vdc, Clear		
		BLK60/15J/X/RL/24VDC	F22412402	Strobe Light BLK 60, 15j, 24Vdc, Red		
		BLK60/15J/X/AL/24VDC	F22412403	Strobe Light BLK 60, 15j, 24Vdc, Amber		
		BLK60/15J/X/GL/24VDC	22412404	Strobe Light BLK 60, 15j, 24Vdc, Green		
		BLK60/15J/X/BL/24VDC	22412405	Strobe Light BLK 60, 15j, 24Vdc, Blue		
		BLK50/15J/X/CL/230VAC	F22412201	Strobe Light BLK 50, 15j, 230Vac, Clear		
		BLK50/15J/X/RL/230VAC	F22412202	Strobe Light BLK 50, 15j, 230Vac, Red		
		BLK50/15J/X/AL/230VAC	F22412203	Strobe Light BLK 50, 15j, 230Vac, Amber		
		BLK50/15J/X/GL/230VAC	22412204	Strobe Light BLK 50, 15j, 230Vac, Green		
		BLK50/15J/X/BL/230VAC	22412205	Strobe Light BLK 50, 15j, 230Vac, Blue		
		BLK 5j - Low Temperature	36	BLK42/5J/X/CL/24VDC/LT	F22421401	Strobe Light BLK 42, 5j, 15-32Vdc, Clear, Low temp
				BLK42/5J/X/RL/24VDC/LT	F22421402	Strobe Light BLK 42, 5j, 15-32Vdc, Red, Low temp
BLK42/5J/X/AL/24VDC/LT	F22421403			Strobe Light BLK 42, 5j, 15-32Vdc, Amber, Low temp		
BLK32/5J/X/CL/230VAC/LT	F22421201			Strobe Light BLK 32, 5j, 230Vac, Clear, Low temp		
BLK32/5J/X/RL/230VAC/LT	F22421202			Strobe Light BLK 32, 5j, 230Vac, Red, Low temp		
BLK32/5J/X/AL/230VAC/LT	F22421203			Strobe Light BLK 32, 5j, 230Vac, Amber, Low temp		
BLK LED	37	BLK/L/RL/24VDC	F22161302	LED-Signal Light BLK LED 24Vdc, Red		
		BLK/L/AL/24VDC	F22161303	LED-Signal Light BLK LED 24Vdc, Amber		
		BLK/L/RL/230VAC	F22160702	LED-Signal Light BLK LED 230Vac, Red		
		BLK/L/AL/230VAC	F22160703	LED-Signal Light BLK LED 230Vac, Amber		
BLK Super LED	38	BLK/L/CL/24VDC/1200LM	22163301	LED-Signal Light BLK Super LED 24Vdc, 1200 Im Clear		
		BLK/L/RL/24VDC/1200LM	F22163302	LED-Signal Light BLK Super LED 24Vdc, 1200 Im Red		
		BLK/L/AL/24VDC/1200LM	F22163303	LED-Signal Light BLK Super LED 24Vdc, 1200 Im Amber		
		BLK/L/CL/230VAC/1200LM	22163701	LED-Signal Light BLK Super LED 230Vac, 1200 Im Clear		
		BLK/L/RL/230VAC/1200LM	F22163702	LED-Signal Light BLK Super LED 230Vac, 1200 Im Red		
		BLK/L/AL/230VAC/1200LM	F22163703	LED-Signal Light BLK Super LED 230Vac, 1200 Im Amber		
		BLK/L/CL/230VAC/2000LM	22164701	LED-Signal Light BLK Super LED 230Vac, 2000 Im Clear		
		BLK/L/RL/230VAC/2000LM	F22164702	LED-Signal Light BLK Super LED 230Vac, 2000 Im Red		
		BLK/L/AL/230VAC/2000LM	F22164703	LED-Signal Light BLK Super LED 230Vac, 2000 Im Amber		
BLK 10j	39	BLG10/10J/X/RL/20-75VAC/10-100VDC	F22461302	Strobe Light BLG 10j, 20-75 Vac /10-100 Vdc, Red Anti-Vibration		
		BLG10/10J/X/AL/20-75VAC/10-100VDC	F22461303	Strobe Light BLG 10j, 20-75Vac /10-100 Vdc, Amber Anti-Vibration		
		BLG10/10J/X/GL/20-75VAC/10-100VDC	22461305	Strobe Light BLG 10j, 20-75Vac/10-100Vdc, Green Anti-Vibration		
		BLG10/10J/X/BL/20-75VAC/10-100VDC	F22461305	Strobe Light BLG 10j, 20-75Vac/10-100Vdc, Blue Anti-Vibration		
		BLG10/10J/X/CL/230VAC	F22460701	Strobe Light BLG 10j, 230Vac, Clear Anti-Vibration		
		BLG10/10J/X/RL/230VAC	F22460702	Strobe Light BLG 10j, 230Vac, Red Anti-Vibration		
		BLG10/10J/X/AL/230VAC	F22460703	Strobe Light BLG 10j, 230Vac, Amber Anti-Vibration		
		BLG10/10J/X/GL/230VAC	22460704	Strobe Light BLG 10j, 230Vac, Green Anti-Vibration		
		BLG10/10J/X/BL/230VAC	224607050	Strobe Light BLG 10j, 230Vac, Blue Anti-Vibration		

Product name	Page	Product reference	Catalogue number	Description
Sounders & beacons				
BLG LED Multi Function	40	BLG/L/CL/12-24/VAC/DC	F22151301	LED-Signal Light BLG LED, 12/24Vac/dc, Clear Anti-Vibration
		BLG/L/RL/12-24/VAC/DC	F22151302	LED-Signal Light BLG LED, 12/24Vac/dc, Red Anti-Vibration
		BLG/L/AL/12-24/VAC/DC	F22151303	LED-Signal Light BLG LED, 12/24 Vac/dc, Amber Anti-Vibration
		BLG/L/CL/230VAC	F22150701	LED-Signal Light BLG LED, 230Vac, Clear Anti-Vibration
		BLG/L/RL/230VAC	F22150702	LED-Signal Light BLG LED, 230Vac, Red Anti-Vibration
		BLG/L/AL/230VAC	F22150703	LED-Signal Light BLG LED, 230Vac Amber Anti-Vibration
Sounders & beacons				
Powered base	41	U Base Red	590020FULL-0094	U Red Base + Locking Screw
		Deep Base Red	593001FUL-0022	Deep Red Base + Locking Screw
		Deep Base White	593002FULL-0017	Deep White Base + Locking Screw
		Shallow Base Red	593005FULL-0027	Shallow Red Base + Locking Screw
		Powered Deep Base Red	631201FUL-0109	Deep Base Red, with 110-230Vac to 24Vdc, Supply Mod
		Powered Deep Base White	631202FUL-0117	Deep Base White, with 110-230Vac to 24Vdc, Supply Mod
		Midi Angled Base Red	599031FULL-0363	Midi Angled Base, Red, Pack of 10
		Midi Angled Base White	599032FULL-0364	Midi Angled Base, White, Pack of 10
		Midi U Base Red	599033FULL-0365	Midi U Base, Red, Pack of 10
		Midi U Base White	599034FULL-0366	Midi U Base, White, Pack of 10
		Signalling		
Combi signalling unit	44	593004FULL-0034	CB/2/R RED	Combi Double, Deep Base Red
		593008FULL-0321	CB/3/R RED	Combi Triple, Deep Base Red
		593009FULL-0322	CB/4/R	Combi Quad, Deep Base Red
		593010FULL-0323	CB/2/W	Combi Double, Deep Base White
		593011FULL-0324	CB/3/W	Combi Triple, Deep Base White
		593012FULL-0325	CB/4/W	Combi Quad, Deep Base White

Product name	Page	Product reference	Catalogue number	Description
Signalling				
Signal Tower SL7 & SL4	46	E171424	SL7-100-L-RG-24LED	SL7 LED Signal Tower, 2 Light Elements, Red, Green, Continuous, 70mm Dia. 24VDC, 24VAC
		E171425	SL7-100-L-RYG-24LED	SL7 LED Signal Tower, 3 Light Elements, Red, Yellow, Green, Continuous 70mm Dia. 24VDC, 24VAC
		E171295	SL4-100-L-RG-24LED	SL4 LED Signal Tower, 2 Light Elements, Green, Red, Continuous, 40mm Dia, 24VDC, 24VAC
		E171296	SL4-100-L-RYG-24LED	SL4 LED Signal Tower, 3 Light Elements, Red, Yellow, Green, Continuous, 40mm Dia, 24VDC, 24VAC
Obstruction lights				
Alpha 1 & Alpha 3	47	OL/A1/LED/RL/RED/24VDC	F22311302	Obstacle Light Skyline Alpha 1, 24Vdc, Red Lens
		OL/A1/LED/RL/RED/115-230VAC	F22310702	Obstacle Light Skyline Alpha 1, 115/230Vac, Red Len
		OL/A3/LED/RL/RED/115/230VAC BRKT+JB	F223307020	Obstacle Light Skyline Alpha 3, 115/230Vac, Red Lens, Mount Bracket + add Connect Box
Bells				
Bells CF Motorised	50	CFB6D24 RED	521601FULL-1601	6 Inch Motorised Bell 24Vdc, Red
		CFB6D24 GREY	521603FULL-1603	6 Inch Motorised Bell, 24Vdc, Grey
Bells FB Electronic Solenoid	51	FB/12 RED	500001FULL-0001	Electronic Solenoid Bell 12Vdc, Red
		FB/12 GREY	500002FULL-0002	Electronic Solenoid Bell 12Vdc, Grey
		FB/24/RED (CPD Certified)	502001FULL-2001	Electronic Solenoid Bell 24Vdc, Red
		FB/24/GREY (CPD Certified)	502002FULL-2002	Electronic Solenoid Bell 24Vdc, Grey
		FB/230/RED	504001FULL-4001	Electronic Solenoid Bell 230Vac, Red
		FB/230/GREY	504002FULL-4002	Electronic Solenoid Bell 230Vac, Grey
		FB/12/RED/WP	500003FULL-0003	Weatherproof Electronic Solenoid Bell 12Vdc, Red
		FB/12/GREY/WP	500004FULL-0004	Weatherproof Electronic Solenoid Bell 12Vdc, Grey
		FB/24/RED/WP (CPD Certified)	506001FULL-6001	Weatherproof Electronic Solenoid Bell 24Vdc, Red
		FB/24/G/WP (CPD Certified)	506002FULL-6002	Weatherproof Electronic Solenoid Bell 24Vdc, Grey
		FB/230/RED/WP	508001FULL-8001	Weatherproof Electronic Solenoid Bell 230Vac, Red
FB/230/GREY/WP	508002FULL-8002	Weatherproof Electronic Solenoid Bell 230Vac, Grey		
		WEATHERPROOF BELL KIT	594001FULL-0317	Weatherproofing Kit for FB Bell
AW Signalling bell	52	AWB/150/GR/24VDC	F21162113	Signalling Bell AW 2 24Vdc, 150 FS
		AWB/150/GR/230VAC	F21162107	Signalling Bell AW 1 230Vac, 150 FS
		AWB/250/GR/24VDC	F21162313	Signalling Bell AW 2 24Vdc, 250 FS
		AWB/250/GR/230VAC	F21162307	Signalling Bell AW 1 230Vac, 250 FS

Product name	Page	Product reference	Catalogue number	Description
Hazardous areas				
BG2	56	BG2EDC1NR	PX800004	BG2 Call Point, EExed, Switch Only, No Flap, Painted Red
		BG2EDC3NR 470 671006FULL	PX206166	BG2 Call Point, EExed, 470R Series Resistor, No Flap, Painted Red
DB3B	57	DB3BEGD048N2BNN	PX41900427	DB3B explosion proof sounder
DWG21	58	HWB/200/GG/BB/24VDC	F91024210	Ex Signalling Bell dWG21 ATEX 200mm, Grey Gong, Black Body, 24Vdc
		HWB/200/GG/BB/230VAC	F91230110	Ex Signalling Bell dWG21 ATEX 200mm, Grey Gong, Black Body, 230Vac
LD15	59			
XB15	60			
BDK	61	BDK22/5J/X/RL/24VDC	F22481402	ExII-Zone 22 Strobe Light BDK22, 24Vdc, Aluminium Cast Housing, Red Lens
		BDK22/5J/X/RL/230VAC	F22471202	ExII-Zone 22 Strobe Light BDK22, 230Vac, Aluminium Cast Housing, Red Lens
		BDK 22/5J/X/RL/230VAC	F22471203	ExII-Zone 22 Strobe Light BDK22, 230Vac, Aluminium Cast Housing, Amber Lens
BG3	62	BG3I1NBB	PX23300125	Contact Customer Services for More Information
		BG3I1NBR	PX800007	BG3 Call Point, ATEX ExII 1G EExia T4 Zone 0/1/2, Switch Only, 2x20mm Entries, Red Finish, "Burning House" Label
		BG3I4NBR FULL	PX23300109	BG3 Call Point, ATEX ExII 1G, EExia, T4, Zone 0/1/2, Switch Only, 2x20mm Entries, Blue Finish, Glass With "Dot and Arrows" Label
DB5	63	DB5B024NR 546001FULL	PX895002	DB5 Sounder, ATEX ExII 1G, Exia T4, Zone 0/1/2, 24Vdc, Red
DB7	64	DB7PBB024NR	PX212814	DB7P Sounder, ATEX Ex II 1G, EExia IIB T4, Zone 0/1/2, 24Vdc, 3 x 20mm Knockouts, 27 Tones, Red Finish, IP66/67
Barriers & Isolators	65	MTL5525	MTL5525	Isolating Interface & Housing to Suit DB5 / DB7 / XB8
		MTL5561	MTL5561	Isolating Interface & Housing to Suit BG3 Call Point (2 Channel)
		MTL7787+	MTL7787+	Shunt Diode Barrier & Housing to Suit BG3 / DB5 / DB7
		MTL7787P+	MTL7787P+	Shunt Diode Barrier & Housing to Suit XB8
		DX070	DX070	DIN Rail Enclosure for Isolators and Barriers

Tone description

1st Tone	2nd Tone	Type	Frequencies	Temporal pattern		Typical Tone tone application
1	14	Alternating	800 & 970	2Hz (250ms-250ms)		BS Fire Tone
2	14	Sweep	800 to 970	7Hz (7/s)		BS Fire Tone
3	14	Sweep	800 to 970	1Hz (1/s)		BS Fire Tone
4	14	Continuous	2850	Steady		General Purpose
5	4	Sweep	2400 to 2850	7Hz		General Purpose
6	4	Sweep	2400 to 2850	1Hz		General Purpose
7	14	Slow whoop	500 to 1200	3.5s sweep, 0.5 s silence, then repeat		Dutch Tone (NEN 2575)
8	14	Sweep	1200 to 500	1Hz		Din Tone (33 404)
9	4	Alternating	2400 & 2850	2Hz (250ms-250ms)		General Purpose
10	14	Intermittent	970	0.5Hz (1s On/1s Off)		PFEER Alert
11	14	Alternating	800 & 970	1Hz (500ms-500ms)		BS Fire Tone
12	4	Intermittent	2850	0.5Hz (1s On/1s Off)		General Purpose
13	14	Intermittent	970	0.8Hz (250ms On/1s Off)		General Purpose
14	14	Continuous	970	Steady		PFEER Toxic-Gas
15	14	Alternating	554 & 440	100ms-400ms		French Fire Tone
16	16	Intermittent	660	3.3Hz (150ms On/150ms Off)		Swedish (Air Raid)
17	17	Intermittent	660	0.28Hz(1.8s On/1.8s Off)		Swedish (Local Warning)
18	18	Intermittent	660	0.05Hz (13s Off / 6.5Hz On)		Swedish (Pre-Mess)
19	19	Continuous	660	Steady		Swedish (All Clear)
20	20	Alternating	554 & 440	0.5Hz (1s On/1s Off)		Swedish (Turn Out)
21	21	Intermittent	660	1Hz (500ms-500ms)		Swedish Tone
22	14	Intermittent	2850	4Hz (150ms On/100ms Off)		Pelican Crossing
23	14	Sweep	800 to 970	50Hz		BS Fire Tone
24	4	Sweep	2400 to 2850	50Hz		General Purpose
25	25	Intermittent	970	3 x 500ms pulses followed by 1.5s silence then repeat		ISO 8201 / Australia
26	26	Intermittent (1)	800 to 970	3 x 500ms pulsed sweep followed by 1.5s silence then repeat		ISO 8201 / Australia
27	27	Intermittent (1)	970 & 800	3 x 500ms pulsed two tone followed by 1.5s silence then repeat		ISO 8201 / Australia
28	10	Alternating	800 & 970	2Hz (250ms-250ms)		BS Fire Tone
29	33	Alternating	990 & 650	2Hz (250ms-250ms) (Symphoni tones)		BS Fire Tone
30	35	Alternating	510 & 610	2Hz (250ms-250ms) (Squashni Micro tones)		BS Fire Tone
31	14	Sweep	300 to 1200	1Hz		General Purpose
32	35	Alternating	510 & 610	1 Hz (500mS-500mS)		BS Fire Tone

Tone description

1st Tone	2nd Tone	3rd Tone	Type	Frequencies	Temporal pattern	Typical Tone application
A1	(2)	A14	Alternating	800 & 970	2Hz (250ms-250ms)	BS Fire Tone
A2	(2)	A14	Sweep	800 to 970	7Hz (7/s)	BS Fire Tone
A3	(2)	A14	Sweep	800 to 970	1Hz (1/s)	BS Fire Tone
A4	(2)	A9	Continuous	2850	Steady	General Purpose
A5	(2)	A4	Sweep	2400 to 2850	7Hz	General Purpose
A6	(2)	A4	Sweep	2400 to 2850	1Hz	General Purpose
A7	(2)	A14	Slow whoop	500 to 1200	3s sweep, 0.5 s silence, then repeat	Dutch Tone (NEN 2575)
A8	(2)	A14	Sweep	1200 to 500	1Hz	Din Tone (33 404)
A9	(2)	A4	Alternating	2400 & 2850	2Hz (250ms-250ms)	General Purpose
A10	(2)	A14	Intermittent	970	0.5Hz (1s On/1s Off)	PFEER Alert
A11	(2)	A14	Alternating	800 & 970	1Hz (500ms-500ms)	BS Fire Tone
A12	(2)	A4	Intermittent	2850	0.5Hz (1s On/1s Off)	General Purpose
A13	(2)	A14	Intermittent	970	0.8Hz (250ms On/1s Off)	General Purpose
A14	(2)	A8	Continuous	970	Steady	PFEER - Toxic Gas
A15	(2)	A14	Alternating	554 & 440	100ms-400ms	France NFS 32 S 32-001
A16	(2)	A14	Intermittent	660	3.3Hz (150ms On/150msOff)	Swedish (Air Raid)
A17	(2)	A14	Intermittent	660	0.28Hz(1.8s On/1.8s Off)	Swedish (Local Warning)
A18	(2)	A14	Intermittent	660	0.05Hz (6.5s On/13s Off)	Swedish (Pre-Mess)
A19	(2)	A1	Continuous	660	Steady	Swedish (All Clear)
A20	(2)	A19	Alternating	554 & 440	0.5Hz (1s On/1s Off)	Swedish (Turn Out)
A21	(2)	A4	Intermittent	660	1Hz (500ms-500ms)	Swedish
A22	(2)	A4	Intermittent	2850	4Hz (150ms On/100ms Off)	General Purpose
A23	(2)	A14	Sweep	800 to 970	50Hz	BS Fire Tone
A24	(2)	A4	Sweep	2400 to 2850	50Hz	General Purpose
A25	(2)	A14	Intermittent	970	3 x 500ms pulses followed by 1.5s silence then repeat	ISO 8201/Australia/US Temporal
A26	(2)	A4	Intermittent(1)	800 to 970	3 x 500ms pulsed sweep followed by 1.5s silence then repeat	ISO 8201/Australia
A27	(2)	A6	Intermittent(1)	970 & 800	3 x 500ms pulsed two tone followed by 1.5s silence then repeat	ISO 8201/Australia
A28	(2)	A14	Alternating	800 & 970	2Hz (250ms-250ms)	BS Fire Tone
A29	(2)	A14	Alternating	990 & 650	2Hz (250ms-250ms) (Symphoni tones)	BS Fire Tone
A30	(2)	A14	Alternating	510 & 610	2Hz (250ms-250ms) (Squashni Micro tones)	BS Fire Tone
A31	(2)	A14	Sweep	300 to 1200	1Hz	General Purpose
A32	(2)	A3	Continuous	Bell	Steady	General Purpose/BS Fire Tone
A33	(2)	A14	Continuous	Bell	3 x 500ms pulses followed by 1.5s silence then repeat	Bell / US Temporal
A34	(2)	A4	Alternating	1000 & 2000	1Hz (500ms-500ms)	Singapore
A35	(2)	A14	Intermittent	420	pulsed @ 0.625s	Australian Alert
A36	(2)	A14	Sweep	500 to 1200	Sweep 3.75s followed by 0.25s gap	Australian Evac
A37	(2)	A14	Sweep	1400 to 1600	Sweep up 1s, sweep down 0.5s	NF C 48-265
A38	(2)	A14	Sweep	500 to 1200	Sweep UP & DOWN over 3s	Siren
A39	(2)	A14	Intermittent	720	0.7s ON, 0.30FF	German Ind Alarm
A40	(2)	A14	Sweep	422 to 775	Sweep for 0.85s, 1s delay, repeat	NFPA Whoop
A41	(2)	A3	Continuous	470	Steady	Horn (USA)
A42	(2)	A3	Continuous	370	Steady	Air Horn (USA)

Eaton Electrical Products Ltd

Llantarnam Park
Cwmbran
Gwent
NP44 3AW
Tel: +44 (0) 1633 628500
Fax: +44 (0) 1633 866346
Web: www.cooperfullen.com
www.uk.eaton.com

Eaton

EMEA Headquarters
Route de la Longeraie 7
1110 Morges, Switzerland
Eaton.eu

© 2021 Eaton
All Rights Reserved
Publication No. CA450004EN / CSSC-141
February 2021

Changes to the products, to the information contained in this document, and to prices are reserved; so are errors and omissions. Only order confirmations and technical documentation by Eaton is binding. Photos and pictures also do not warrant a specific layout or functionality. Their use in whatever form is subject to prior approval by Eaton. The same applies to Trademarks (especially Eaton, Moeller, and Cutler-Hammer). The Terms and Conditions of Eaton apply, as referenced on Eaton Internet pages and Eaton order confirmations.

Eaton is a registered trademark.

All other trademarks are property of their respective owners.



Powering Business Worldwide