

DATA
SHEET

Fan Controllers FC6 / FC18

COOPER

FC6 and FC18 Interfaces are designed to work with the Cooper range of analogue fire alarm control panels, providing the capability to control and display the status of AHU fans.

They are connected to a Cooper analogue addressable fire alarm control panel by means of the comms loop, utilizing only one address whilst providing the ability to monitor and control up to six AHU Fans.

Each FC6 and FC18 Interface incorporates its own CPU specifically configured to control the relevant input and output logic making programming quick and easy via the Cooper 'CAPPER' software or site installer.

Using the CAPPER software or site installer, each individual Fan Control channel on the FC6 is programmed to an output and feedback input field device to control and monitor the status of an AHU fan.

Benefits and Features

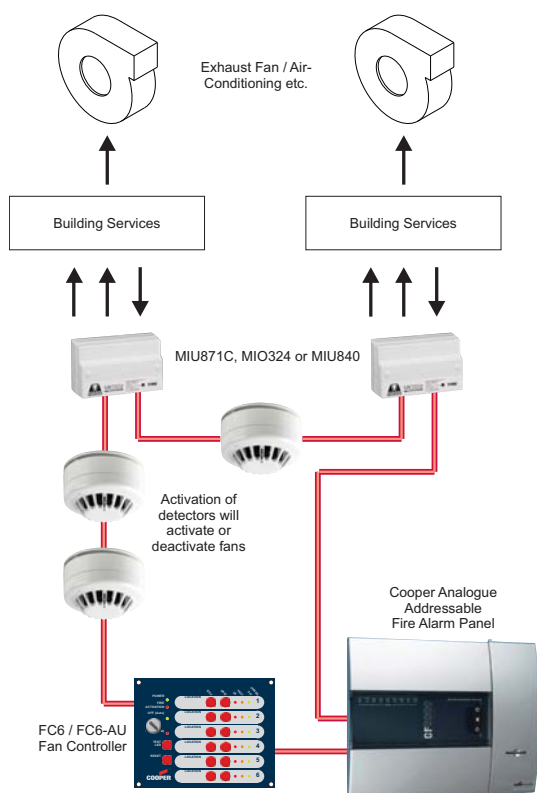
- > Convenient loop mounting
- > Comprehensive LED display
- > Surface/rack mounting options
- > Key operated auto/manual



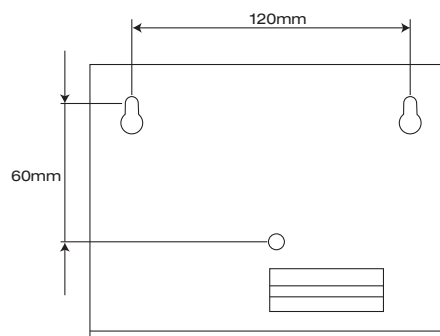
Technical Specifications

Model	FC6 / FC18		
Description	Fan controller		
Loop Load	Min	Nom	Max
Quiescent current	310 μ A		
External 24 V supply	18 V	24 V	28 V
External current	159 mA		
Cable Entry	knockouts top: 2mm x 20mm, knockouts bottom: 2mm x 20mm, slot at rear: 48mm x 18mm		
Environmental			
Operating temperature	-10°C	+60°C	
Humidity (non condensing)	95 % RH		
Compatibility	Analogue addressable fire systems		

Typical Application Schematic



Fixing Centers



Product Codes

6 way fan controller	FC6
18 way fan controller	FC18

Cooper Lighting and Safety

Wheatley Hall Road, Doncaster, South Yorkshire DN2 4NB

www.cooperfire.com

Sales

T: +44 (0)1302 303 999
 F: +44 (0)1302 303 333
 E: sales@cooperfire.com

Technical

T: +44 (0)1302 303 350
 F: +44 (0)1302 303 332
 E: techsupport@cooperfire.com

Export

T: +44 (0)1302 303 344
 F: +44 (0)1302 303 345
 E: export@cooperfire.com